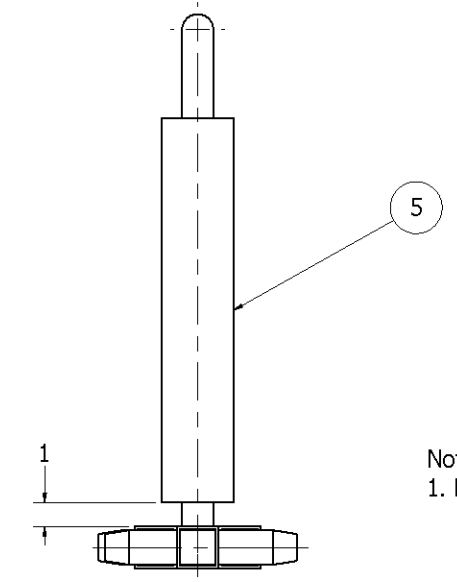
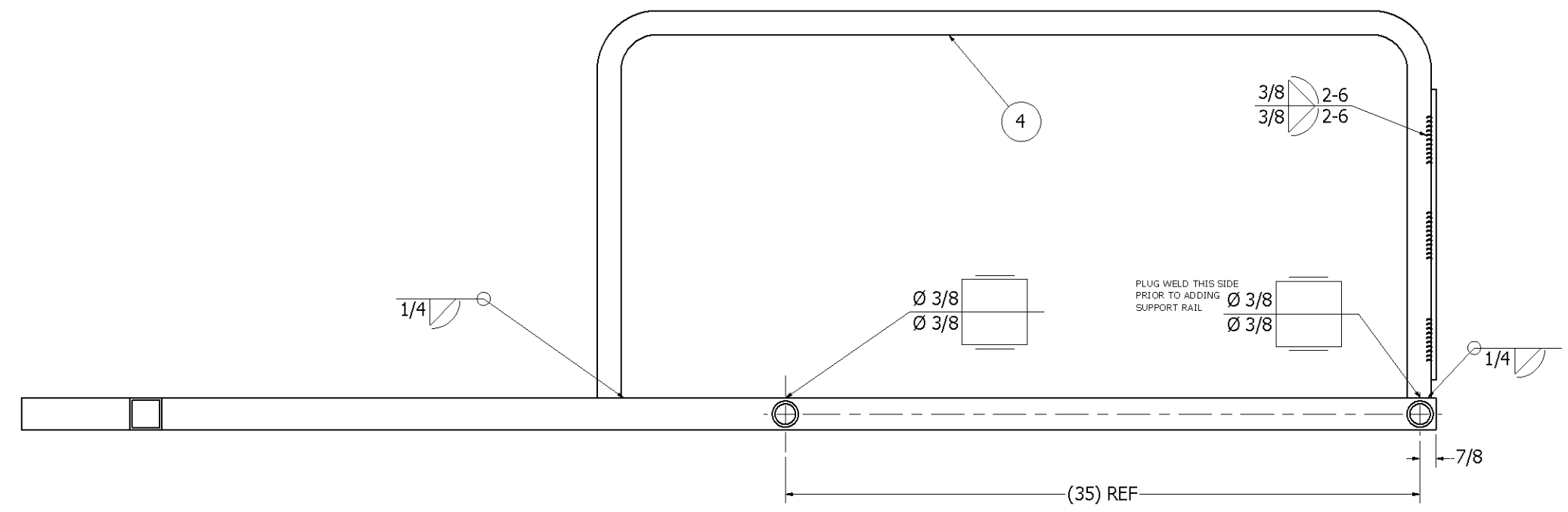
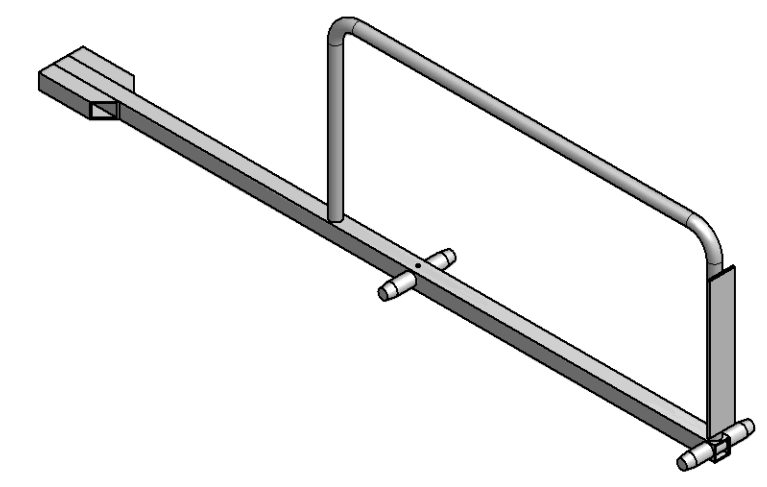
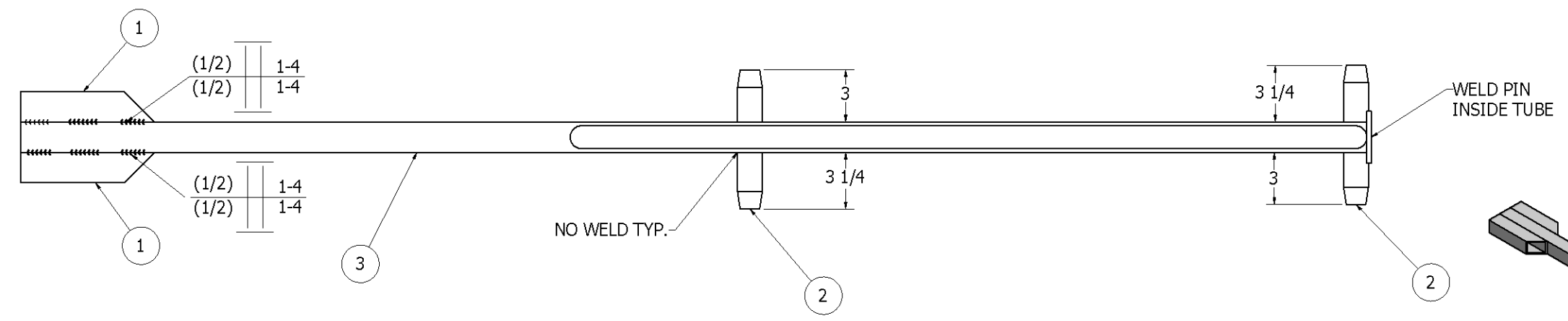


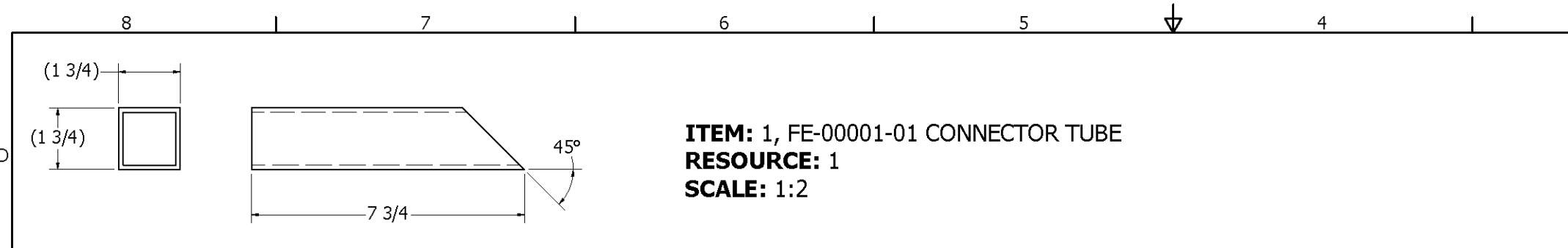
REVISION HISTORY			
REV	DESCRIPTION	DATE	APPROVED
1	Redraw	5/14/2008	narosenberg

Parts List			
ITEM	QTY	PART NUMBER	DESCRIPTION
1	2	FE-00001-01	Connector Tube
2	2	FE-00001-04	Connector Shaft
3	1	FE-00001-05	Support Column
4	1	FE-00001-03	Support Rail
5	1	FE-00001-02	Stop Plate

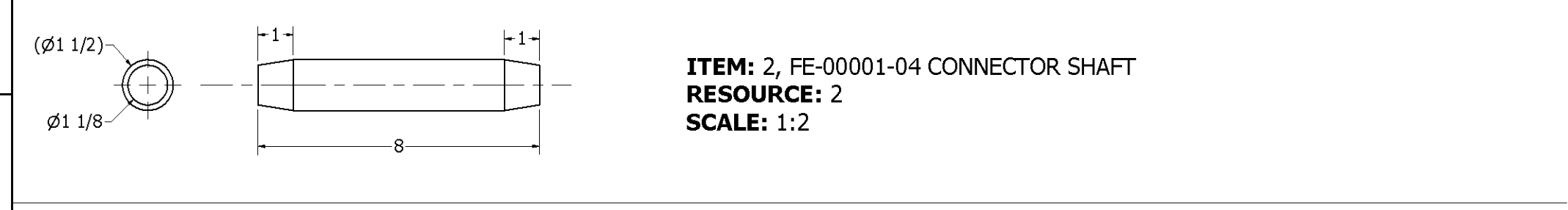


Notes:  
1. Remove all sharp edges

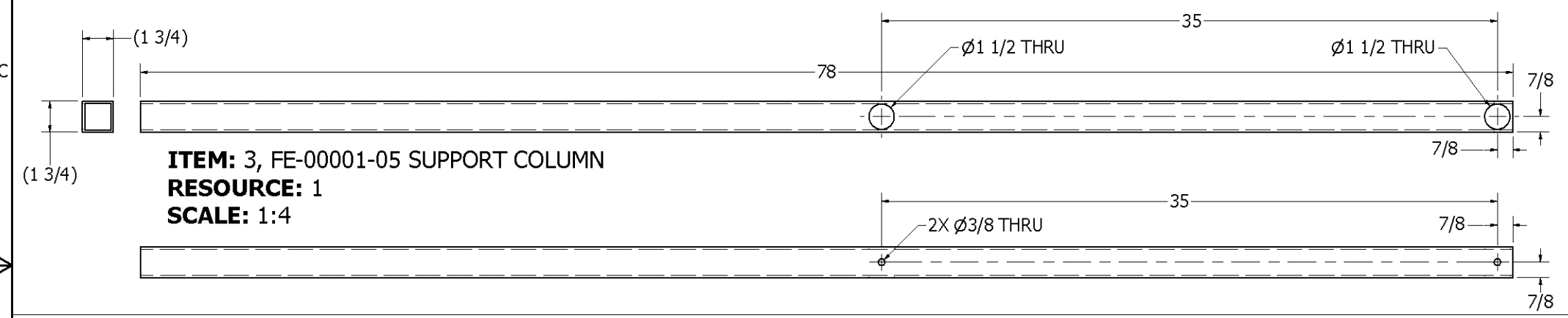
DRAWN narosenberg	5/14/2008	<b>FIRST</b> 200 Bedford Street, Manchester, NH 03101 (603) 666-3906 -- FAX (603) 666-3907
CHECKED dfoster	8/1/2008	
UNLESS OTHERWISE SPECIFIED		TITLE DRIVERS STATION SUPPORT
FRAC.	+/- 1/32	SIZE DWG NO
.00	+/- .01	D FE-00001
.000	+/- .005	REV 1
ANGULAR	+/- .25 Deg.	SCALE
		SHEET 1 OF 2



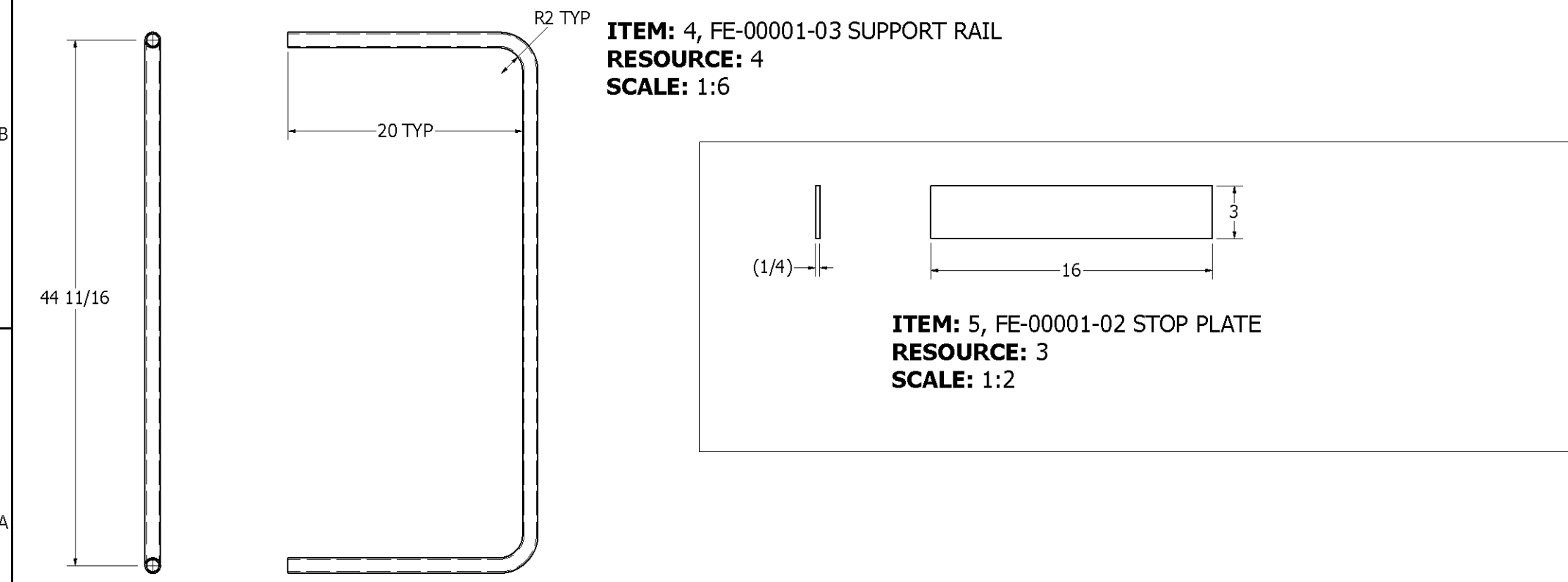
**ITEM: 1, FE-00001-01 CONNECTOR TUBE**  
**RESOURCE: 1**  
**SCALE: 1:2**



**ITEM: 2, FE-00001-04 CONNECTOR SHAFT**  
**RESOURCE: 2**  
**SCALE: 1:2**



**ITEM: 3, FE-00001-05 SUPPORT COLUMN**  
**RESOURCE: 1**  
**SCALE: 1:4**



**ITEM: 4, FE-00001-03 SUPPORT RAIL**  
**RESOURCE: 4**  
**SCALE: 1:6**

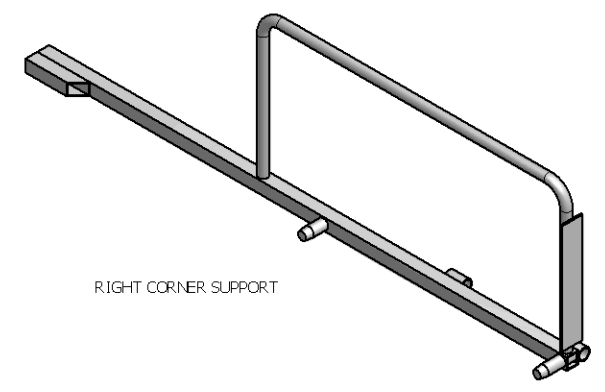
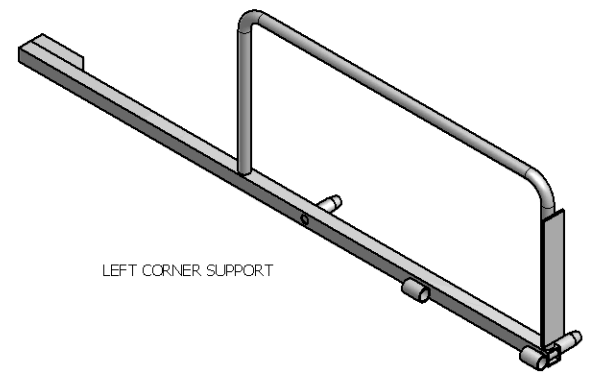
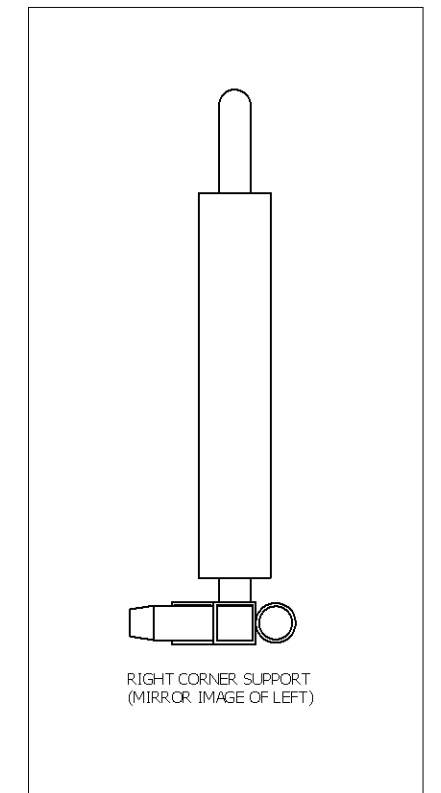
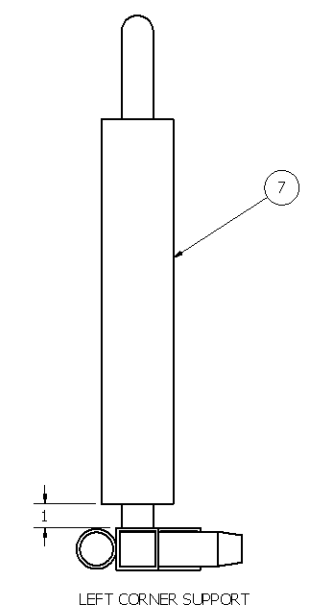
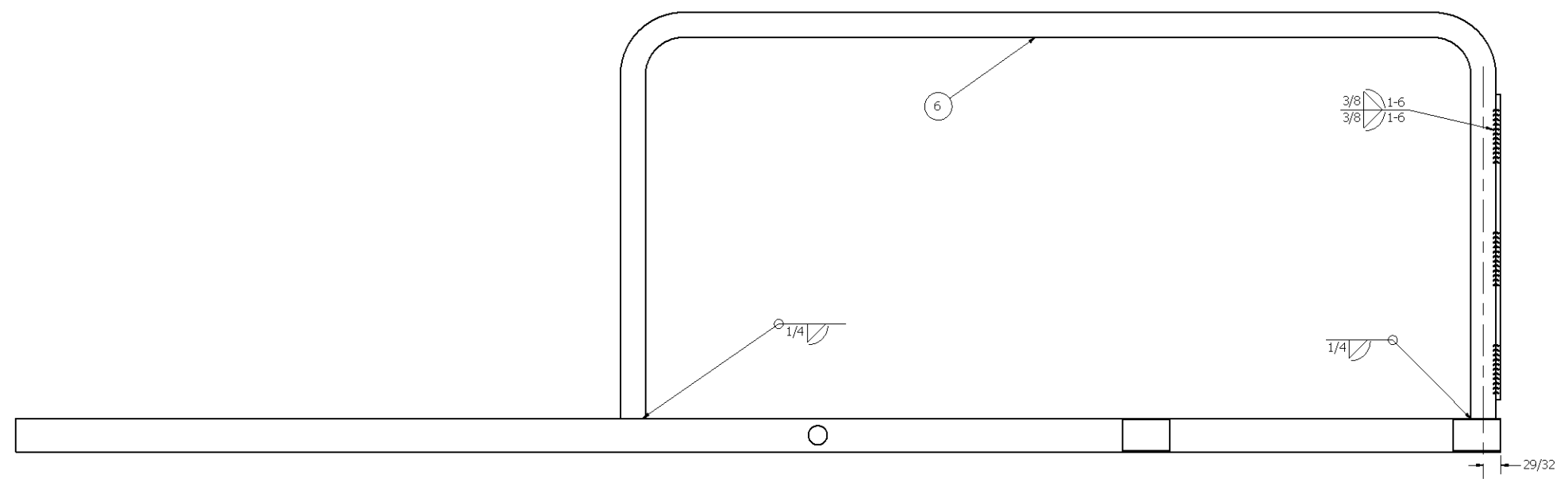
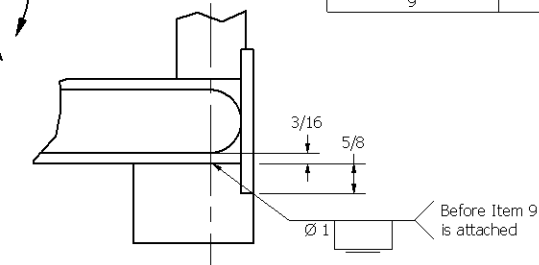
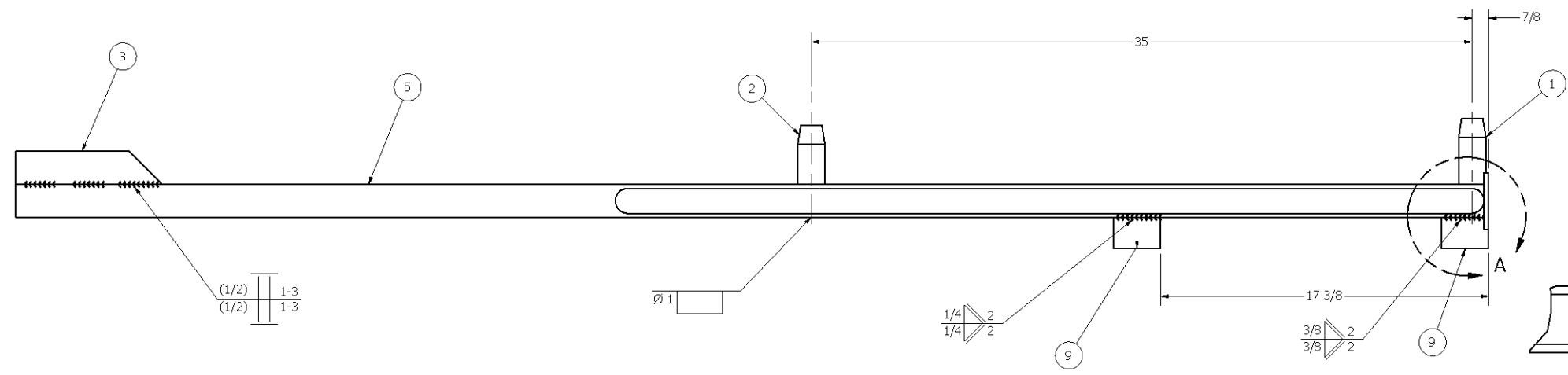
**ITEM: 5, FE-00001-02 STOP PLATE**  
**RESOURCE: 3**  
**SCALE: 1:2**

RESOURCE	QTY.	RESOURCES		
		DESCRIPTION	LENGTH	PART NO.
1	AR	1 3/4" X 1 3/4" X 1/8" 6061 ALUMINUM TUBING		-
2	AR	1 1/2" 6061 ALUMINUM SOLID ROD		-
3	AR	1/4" 6061 ALUMINUM PLATE		-
4	AR	1" SCHEDULE 40 ALUMINUM TUBE		-

DRAWN narosenberg	5/14/2008	<b>FIRST</b> 200 Bedford Street, Manchester, NH 03101 (603) 666-3906 -- FAX (603) 666-3907
CHECKED dfoster	8/1/2008	
UNLESS OTHERWISE SPECIFIED		TITLE DRIVERS STATION SUPPORT
TOLERANCES: (INCHES)		SIZE DWG NO D FE-00001
FRAC.	+/- 1/32	REV 1
.00	+/- .01	
.000	+/- .005	
ANGULAR	+/- .25 Deg.	SCALE SHEET 2 OF 2

REVISION HISTORY			
REV	DESCRIPTION	DATE	APPROVED
1	Redraw	5/19/2008	narosenberg

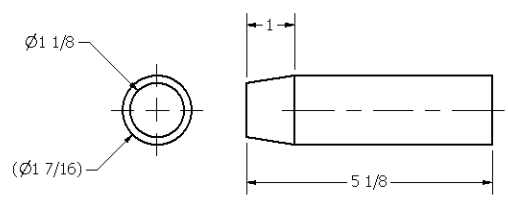
FE-00002 Corner Support Assy			
ITEM	QTY	PART NUMBER	DESCRIPTION
1	1	FE-00002-01	Connector Shaft A
2	1	FE-00002-02	Connector Shaft B
3	1	FE-00002-03	Connector Tube
5	1	FE-00002-05	Support Column for Corner
6	1	FE-00002-06	Support Rail
7	1	FE-00002-07	Stop Plate
9	2	FE-00002-09	Mounting coupler



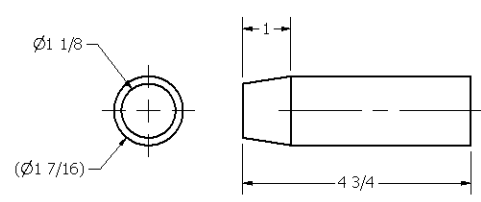
Notes:  
 1. Left corner support shown, right is same components, mirror image assy  
 2. Remove all sharp edges

DRAWN narosenberg	5/19/2008	<b>FIRST</b> 200 Bedford Street, Manchester, NH 03101 (603) 666-3906 -- FAX (603) 666-3907
CHECKED dfoster	8/12/2008	
UNLESS OTHERWISE SPECIFIED		TITLE Corner Supports, Left and Right
FRAC.	+/- 1/32	SIZE DWG NO
.00	+/- .01	D FE-00002
.000	+/- .005	REV 1
ANGULAR	+/- .25 Deg.	SCALE
		SHEET 1 OF 2

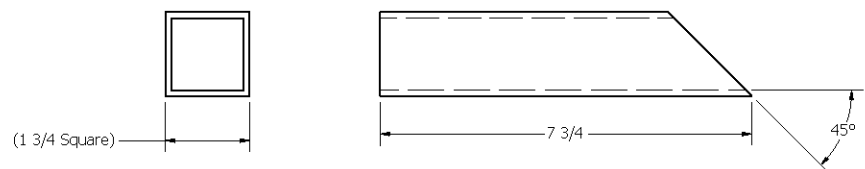
RESOURCES				
RESOURCE	QTY.	DESCRIPTION	LENGTH	PART NO.
1		1 7/16" Dia. 6061 Aluminum Solid Rod		
2		1 3/4" x 1 3/4" x 1/8" 6061 Aluminum Tubing		
4		1" Schedule 40 Aluminum Tube		
5		3" x 1/4" 6061 Aluminum Bar		
6		1 1/4" Schedule 40 Aluminum Tube		



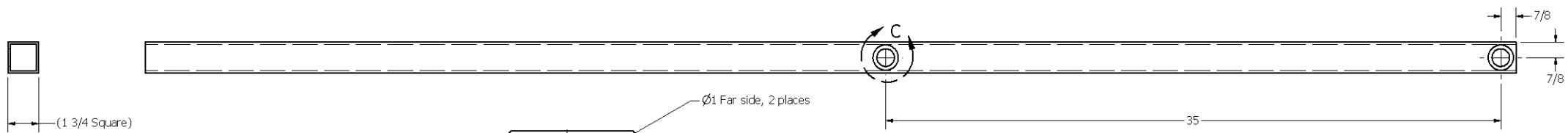
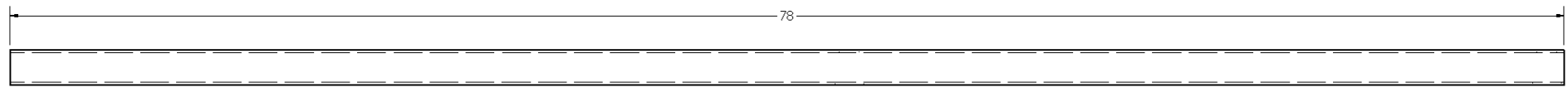
ITEM: 1, FE-00002-01 Connector Shaft A  
RESOURCE: 1  
SCALE: 1/2



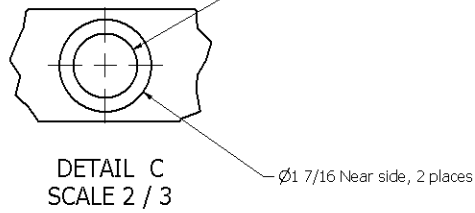
ITEM: 1, FE-00002-02 Connector Shaft B  
RESOURCE: 1  
SCALE: 1/2



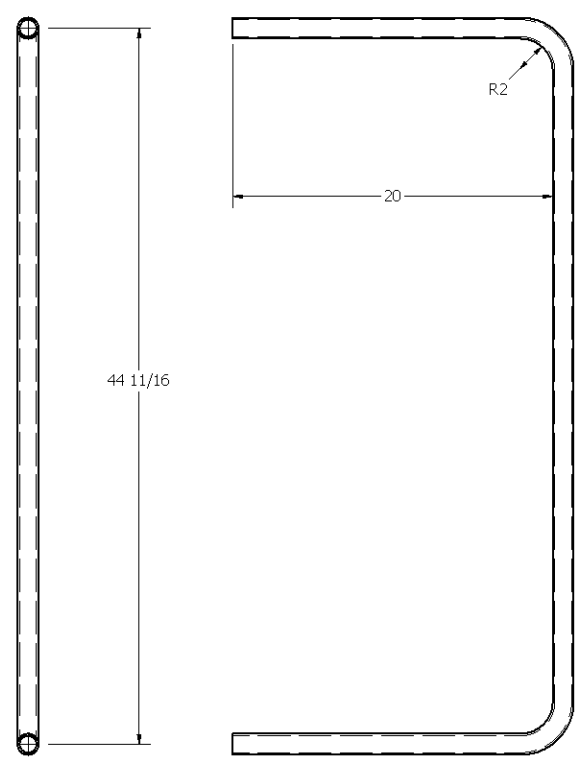
ITEM: 3, FE-00002-03 Connector Tube  
RESOURCE: 2  
SCALE: 1/2



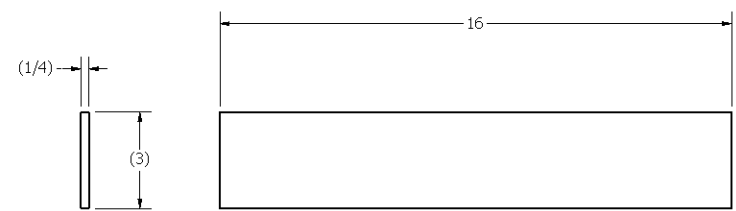
ITEM: 5, FE-00002-05 Support Column for Corner  
RESOURCE: 2  
SCALE: 1/4



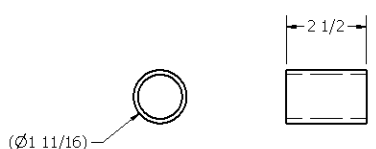
DETAIL C  
SCALE 2 / 3



ITEM: 6, FE-00002-06 Support Rail  
RESOURCE: 4  
SCALE: 1/6



ITEM: 7, FE-00002-07 Stop Plate  
RESOURCE: 5  
SCALE: 1/3



ITEM: 9, FE-00002-09 Mounting Coupler  
RESOURCE: 6  
SCALE: 1/3

DRAWN narosenberg	5/19/2008	<b>FIRST</b> 200 Bedford Street, Manchester, NH 03101 (603) 666-3906 -- FAX (603) 666-3907	
CHECKED dfoster	8/12/2008		
UNLESS OTHERWISE SPECIFIED		TITLE Corner Supports, Left and Right	
FRAC.	+/- 1/32	SIZE	DWG NO
.00	+/- .01	D	FE-00002
.000	+/- .005	SCALE	REV 1
ANGULAR	+/- .25 Deg.	SHEET 2 OF 2	

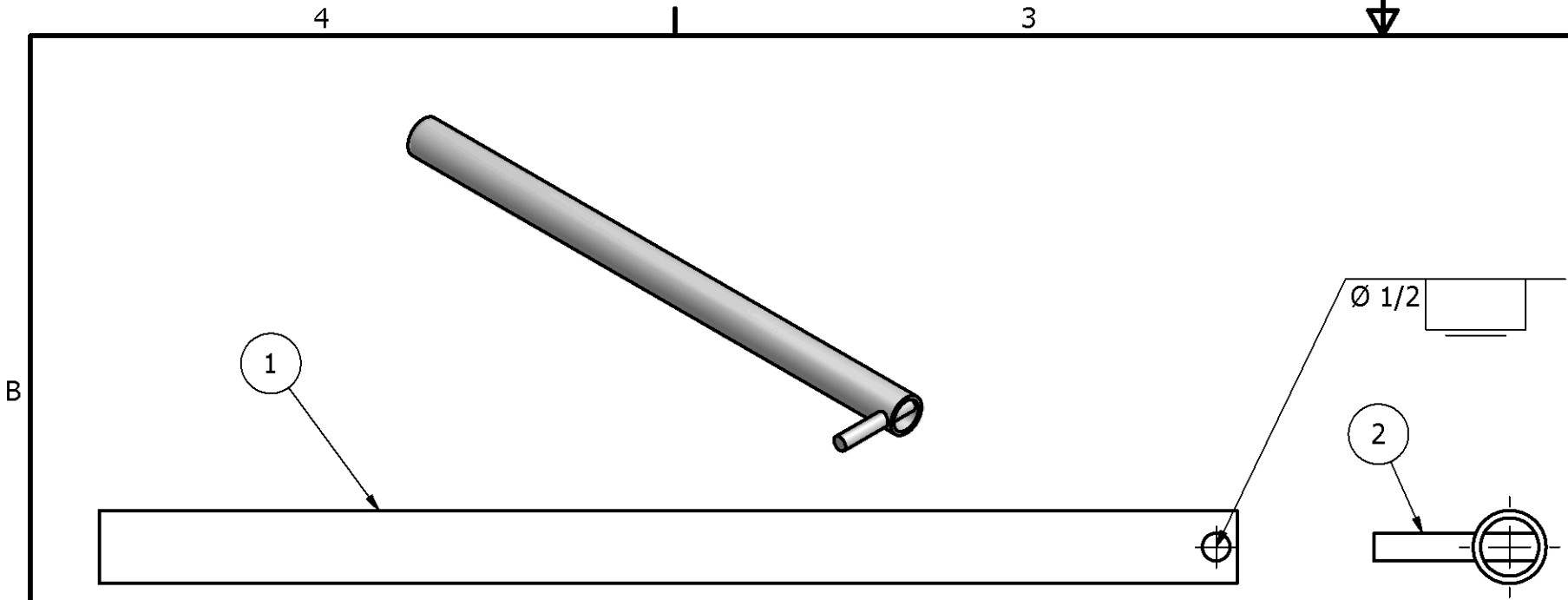
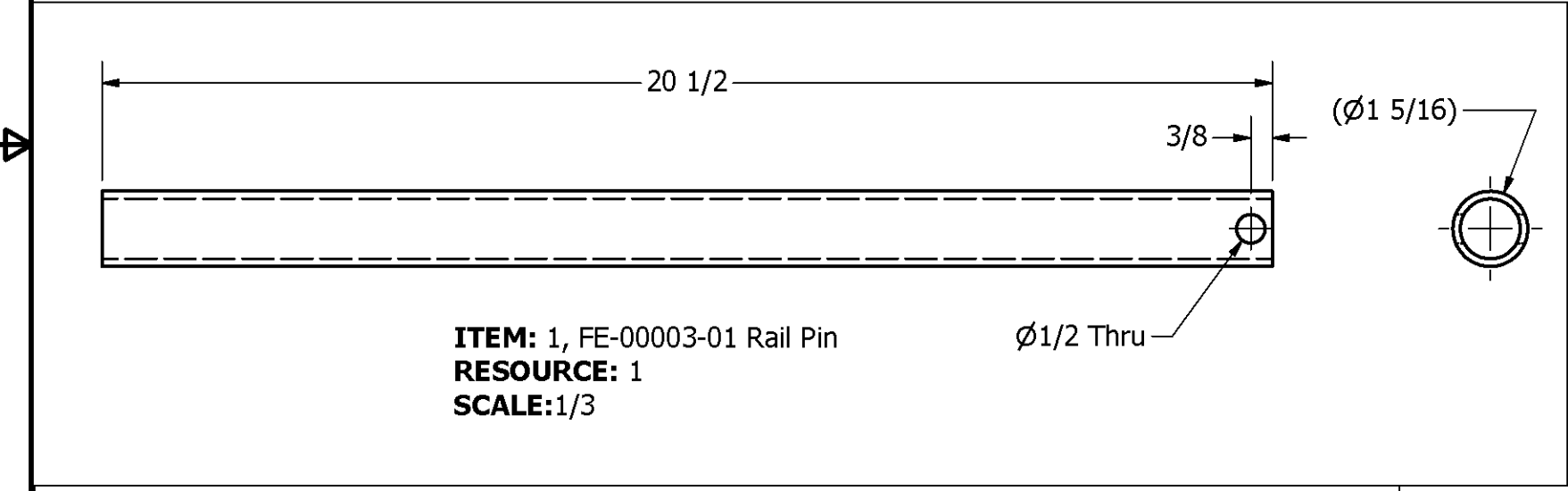


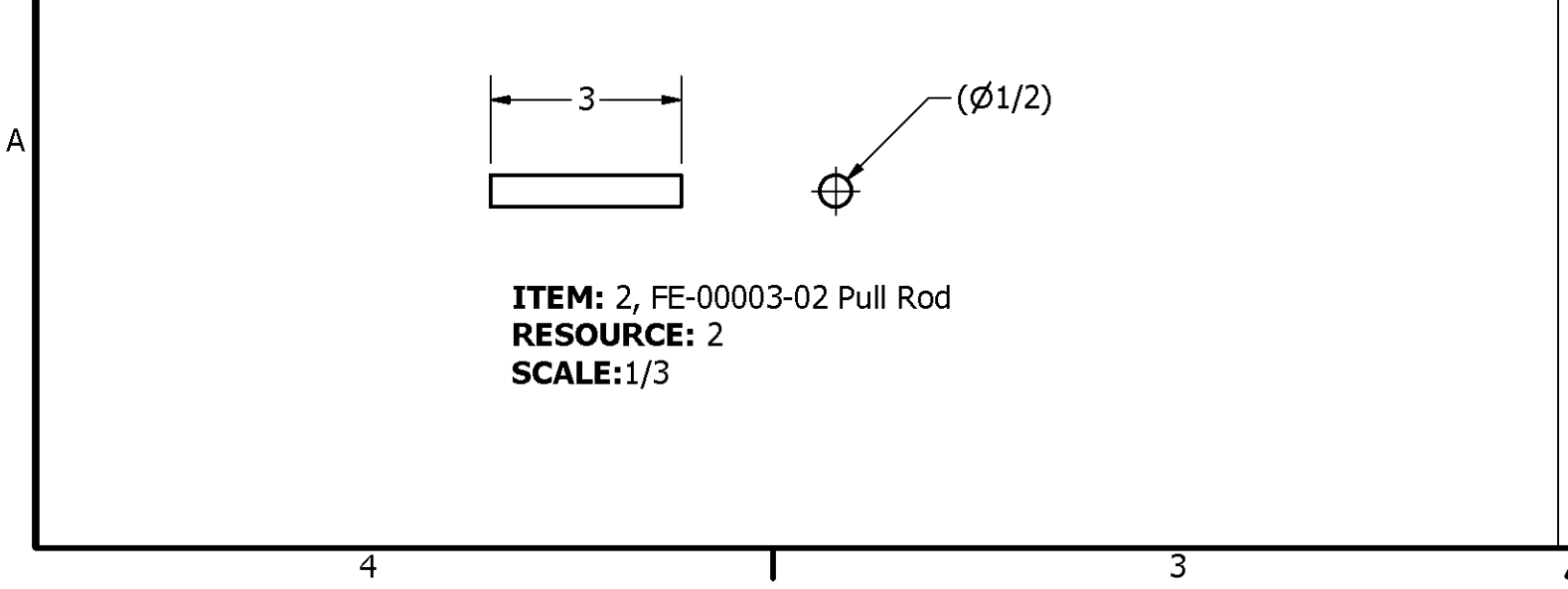
Table			
REV	DESCRIPTION	DATE	APPROVED
1	Redraw	5/20/2008	narosenberg

FE-00003 Rail Pin Assy Parts List			
ITEM	QTY	PART NUMBER	DESCRIPTION
1	1	FE-00003-01	Rail Pin
2	1	FE-00003-02	Pull Rod

RESOURCES				
RESOURCE	QTY.	DESCRIPTION	LENGTH	PART NO.
1		1" Schedule 40 6061 Aluminum Tube		
2		1/2" 6061 Aluminum Rod		



Notes:  
1. Remove all sharp edges



DRAWN narosenberg	5/20/2008
CHECKED dfoster	7/31/2008
UNLESS OTHERWISE SPECIFIED	
<b>TOLERANCES: (INCHES)</b>	
FRAC.	+/- 1/32
.00	+/- .01
.000	+/- .005
ANGULAR	+/- .25 Deg.

**FIRST**  
200 Bedford Street, Manchester, NH 03101  
(603) 666-3906 -- FAX (603) 666-3907

TITLE  
**Rail Pin Assy**

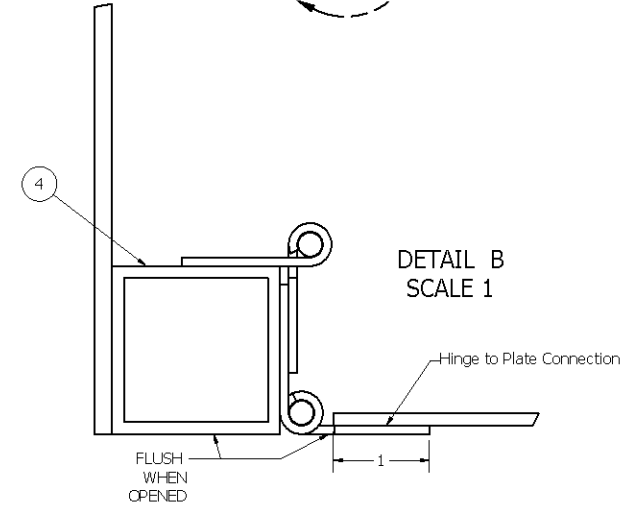
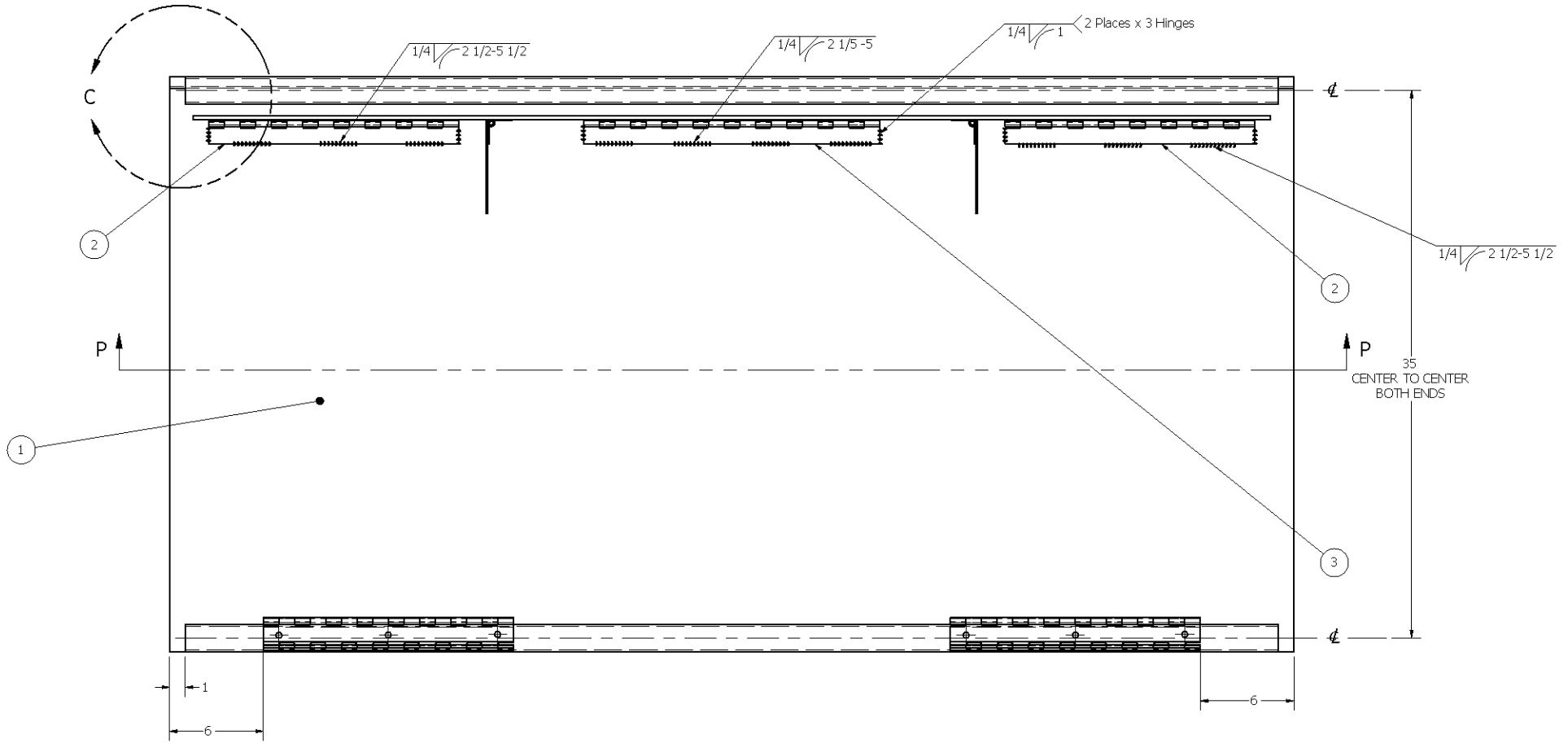
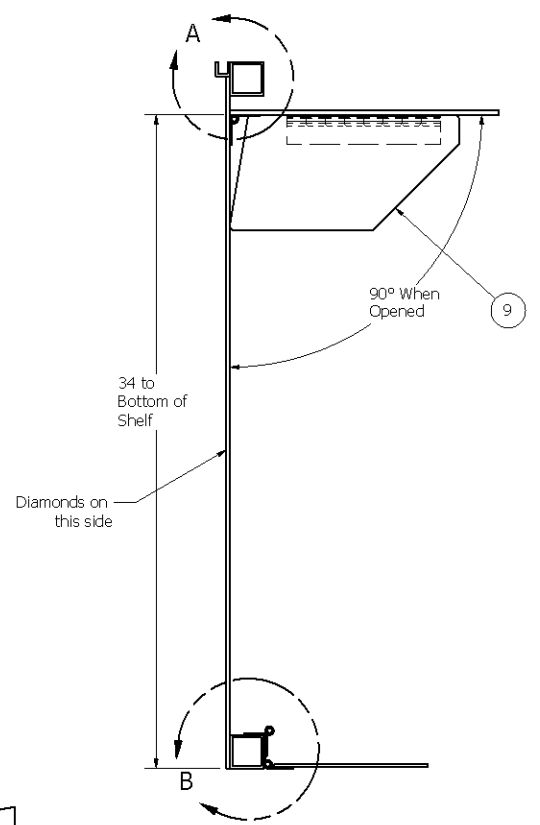
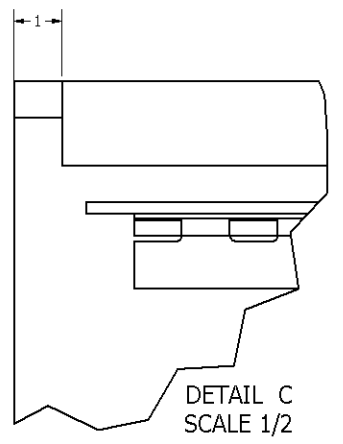
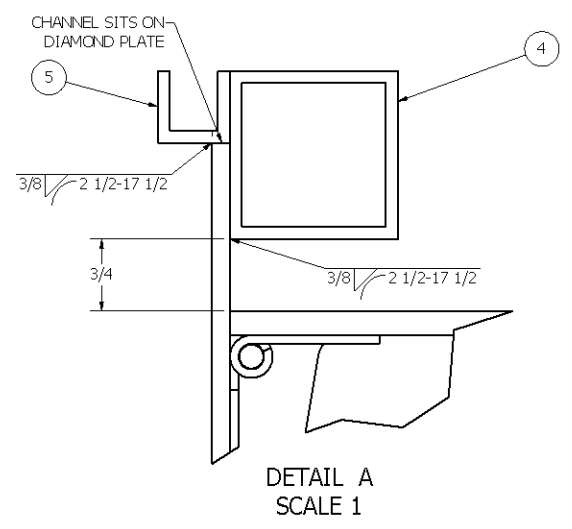
SIZE <b>B</b>	DWG NO <b>FE-00003</b>	REV
SCALE	SHEET 1 OF 1	

8 7 6 5 4 3 2 1

Revisions			
REV	DESCRIPTION	DATE	APPROVED
1	Redraw	5/20/2008	narosenberg

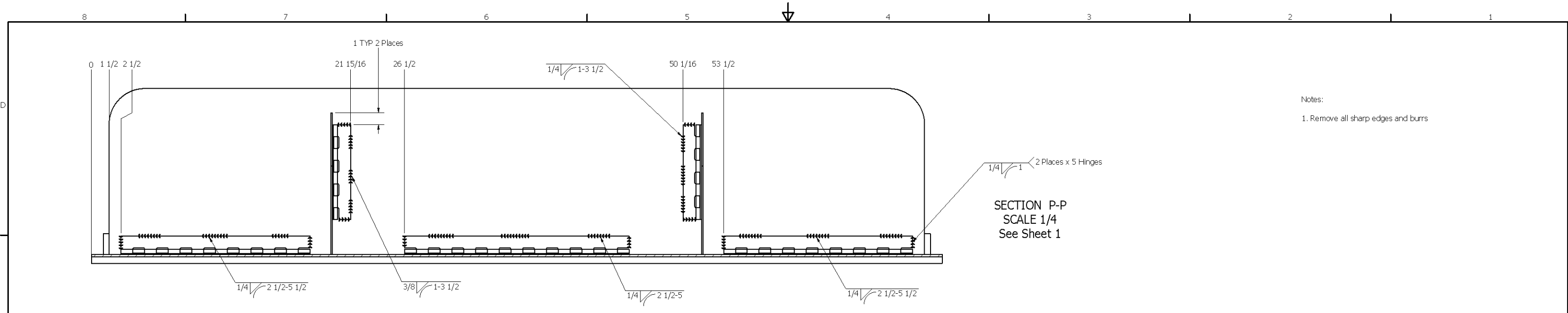
Parts List			
ITEM	QTY	PART NUMBER	DESCRIPTION
1	1	FE-00004-01	Panel, Diamond Plate
2	2	FE-00004-02	Hinge, End Shelf
3	1	FE-00004-03	Hinge, Middle Shelf
4	2	FE-00004-04	Support, Top and Bottom
5	1	FE-00004-05	Support, Window
6	1	FE-00004-06	Shelf
7	2	FE-00004-07	Hinge, Stop Plate
8	2	FE-00004-08	Hinge, Shelf Support
9	2	FE-00004-09	Plate, Shelf Support
10	2	FE-00004-10	Plate, Stop

Notes:  
1. Remove all sharp edges and burrs

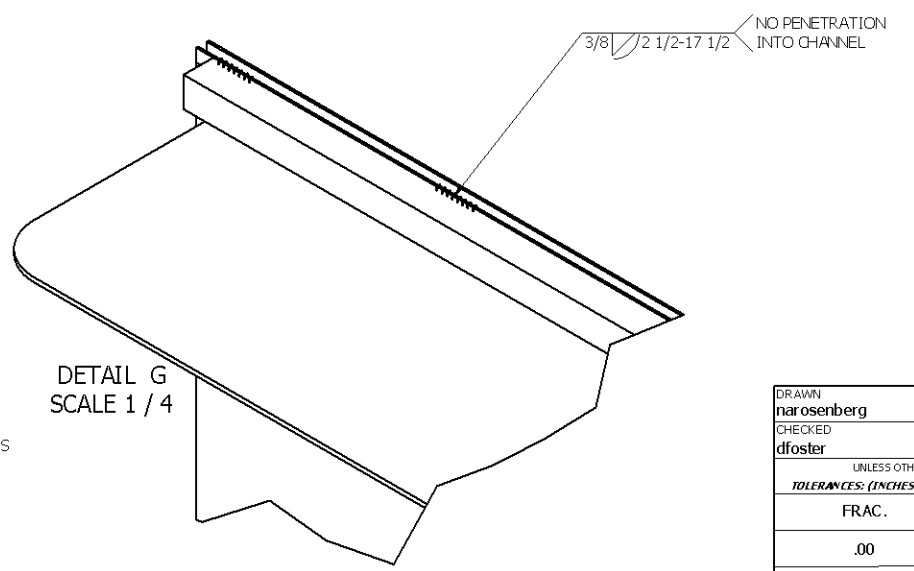
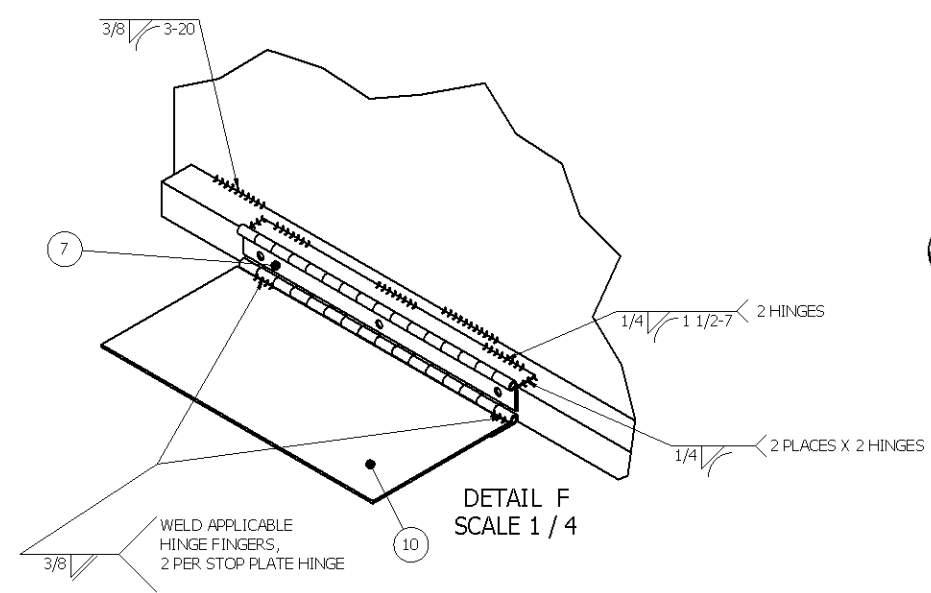
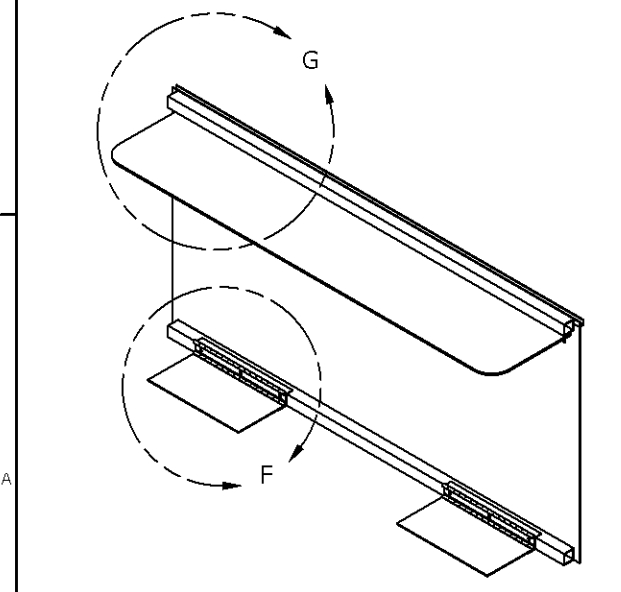
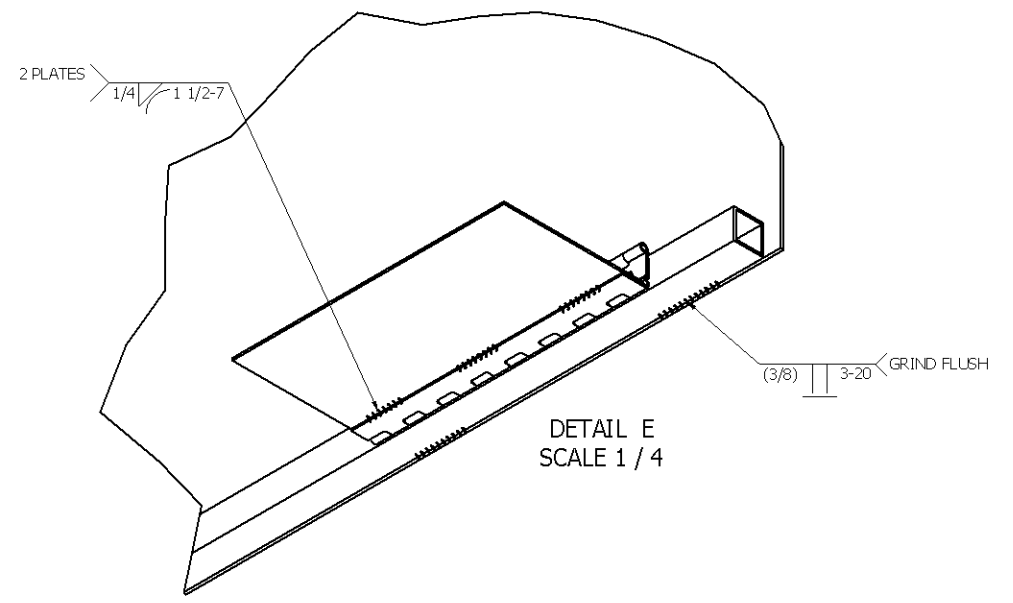
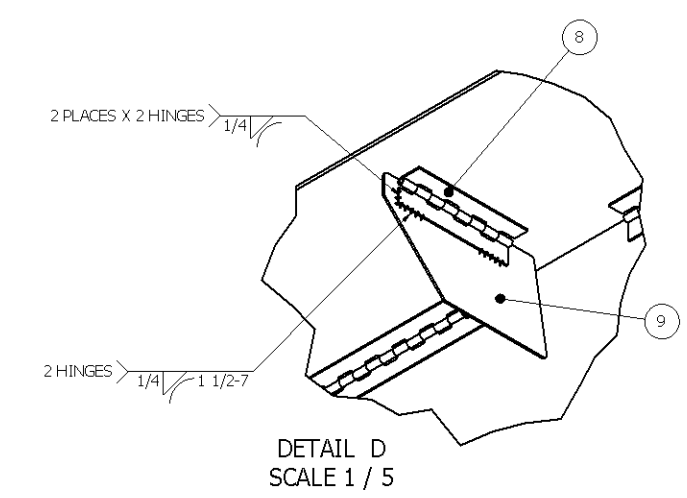
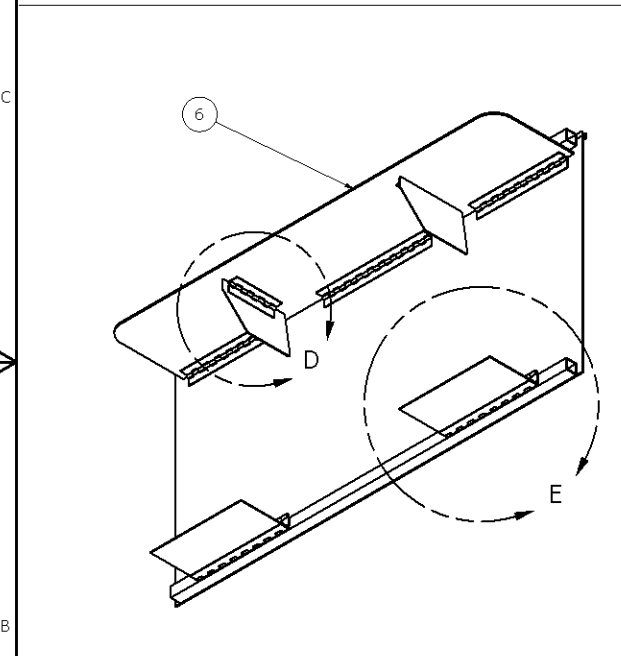


DRAWN narosenberg 5/29/2008	CHECKED dfoster 8/12/2008	<b>FIRST</b> 200 Bedford Street, Manchester, NH 03101 (603) 666-3906 -- FAX (603) 666-3907
UNLESS OTHERWISE SPECIFIED TOLERANCES: (INCHES) FRAC. +/- 1/32 .00 +/- .01 .000 +/- .005 ANGULAR +/- .25 Deg.		
TITLE End Panel		REV 1
SIZE DWG NO D FE-00004		SCALE SHEET 1 OF 3

8 7 6 5 4 3 2 1



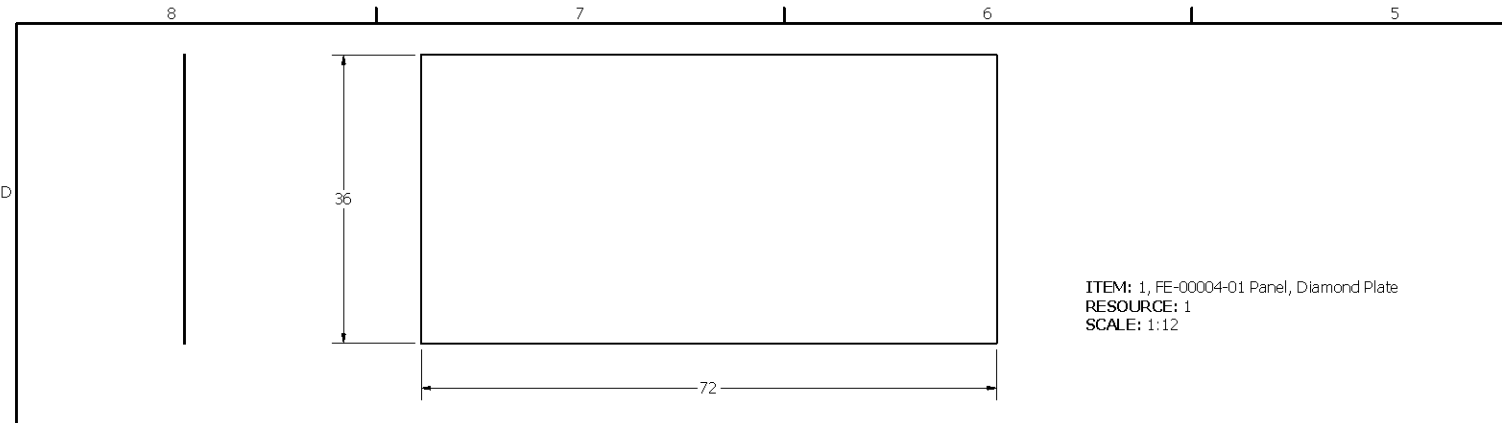
Notes:  
1. Remove all sharp edges and burrs



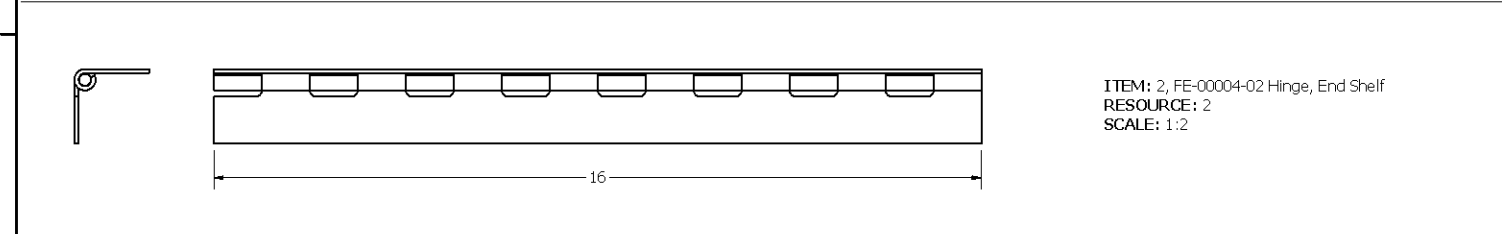
DRAWN narosenberg	5/29/2008	<b>FIRST</b> 200 Bedford Street, Manchester, NH 03101 (603) 666-3906 -- FAX (603) 666-3907	
CHECKED dfoster	8/12/2008		
UNLESS OTHERWISE SPECIFIED		TITLE End Panel	
TOLERANCES: (INCHES)		SIZE D	DWG NO FE-00004
FRAC.	+/- 1/32	REV 1	
.00	+/- .01		
.000	+/- .005		
ANGULAR	+/- .25 Deg.	SCALE	SHEET 2 OF 3

RESOURCE	QTY.	DESCRIPTION	LENGTH	PART NO.
1		3/16 Aluminum Diamond Plate		
2		Hinge, Aluminum 3" x .09", 1/4" Pin		
3		1 3/4" x 1 3/4" x 1/8" Square 6061 Aluminum Tubing		
4		3/4" x 3/4" x 1/8" 6061 Aluminum 'U' Channel		
5		1/4" 6061 Aluminum Plate		
6		1/8" 6061 Aluminum Plate		

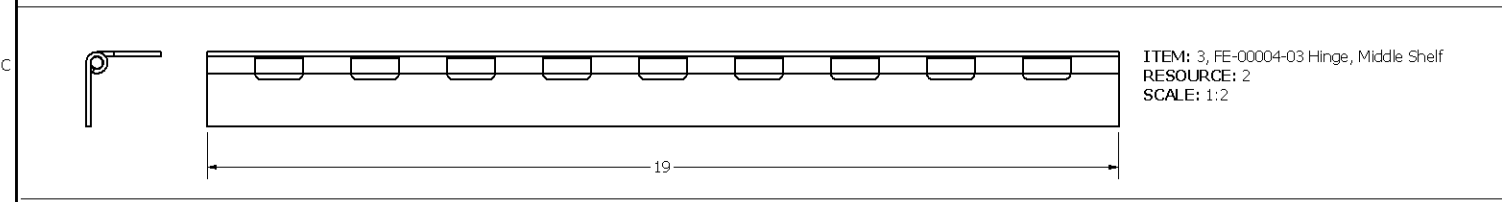
Notes:  
1. Remove all sharp edges and burrs



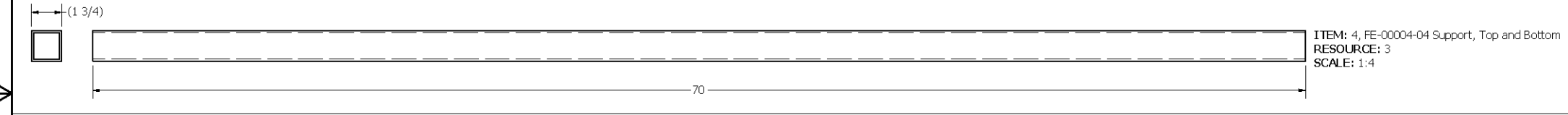
ITEM: 1, FE-00004-01 Panel, Diamond Plate  
RESOURCE: 1  
SCALE: 1:12



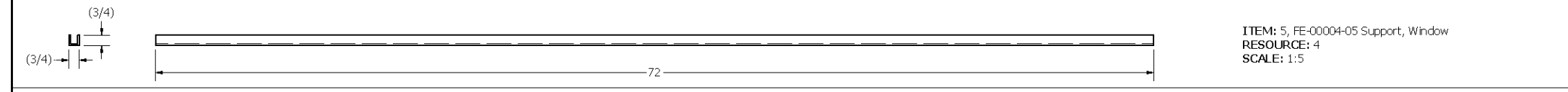
ITEM: 2, FE-00004-02 Hinge, End Shelf  
RESOURCE: 2  
SCALE: 1:2



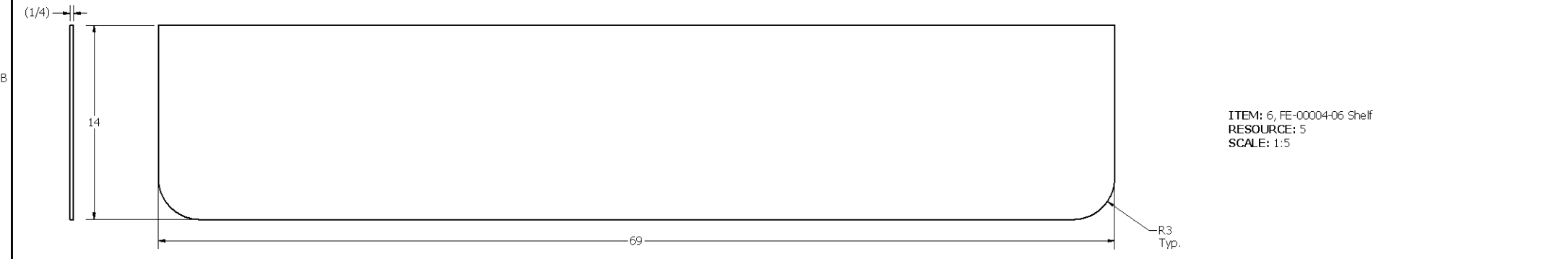
ITEM: 3, FE-00004-03 Hinge, Middle Shelf  
RESOURCE: 2  
SCALE: 1:2



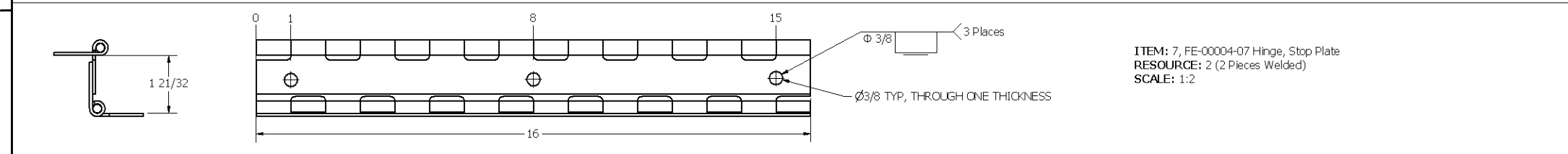
ITEM: 4, FE-00004-04 Support, Top and Bottom  
RESOURCE: 3  
SCALE: 1:4



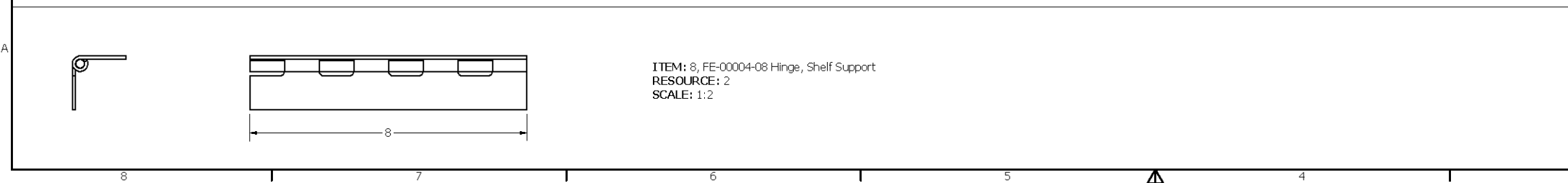
ITEM: 5, FE-00004-05 Support, Window  
RESOURCE: 4  
SCALE: 1:5



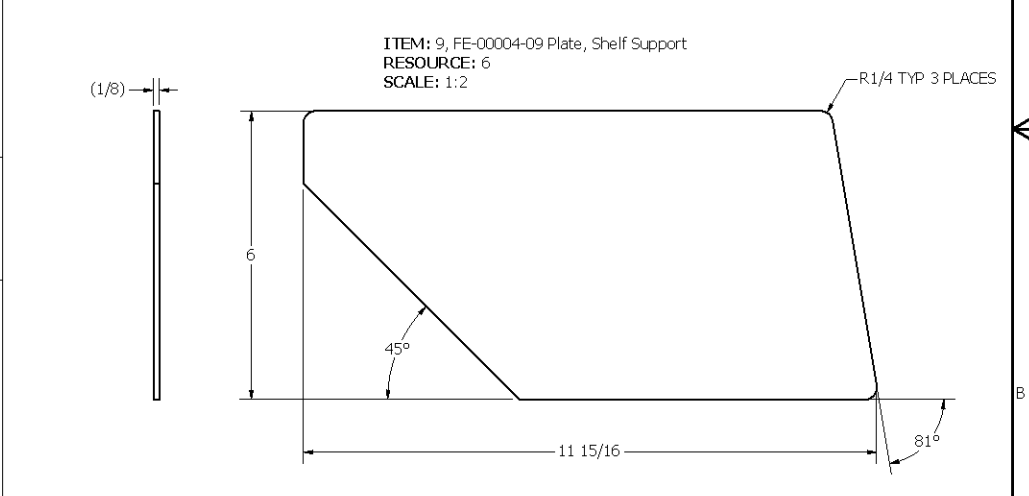
ITEM: 6, FE-00004-06 Shelf  
RESOURCE: 5  
SCALE: 1:5



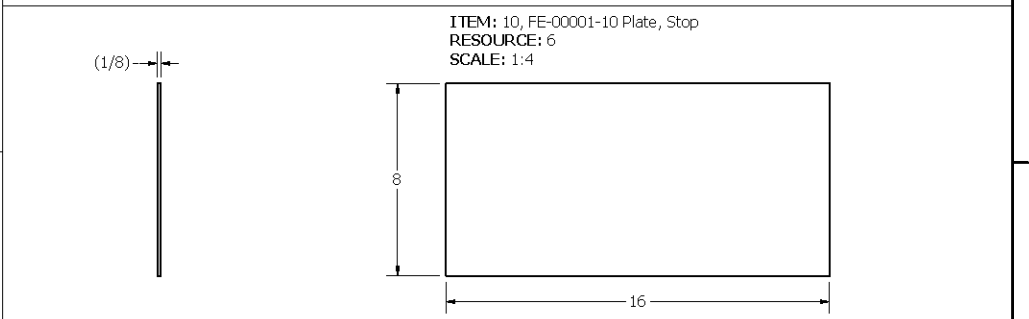
ITEM: 7, FE-00004-07 Hinge, Stop Plate  
RESOURCE: 2 (2 Pieces Welded)  
SCALE: 1:2



ITEM: 8, FE-00004-08 Hinge, Shelf Support  
RESOURCE: 2  
SCALE: 1:2



ITEM: 9, FE-00004-09 Plate, Shelf Support  
RESOURCE: 6  
SCALE: 1:2

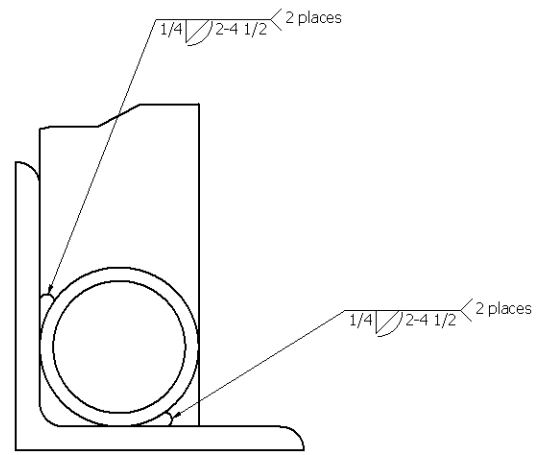
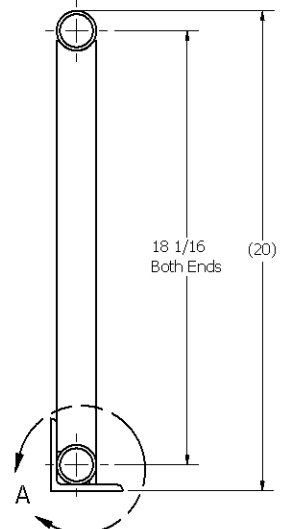
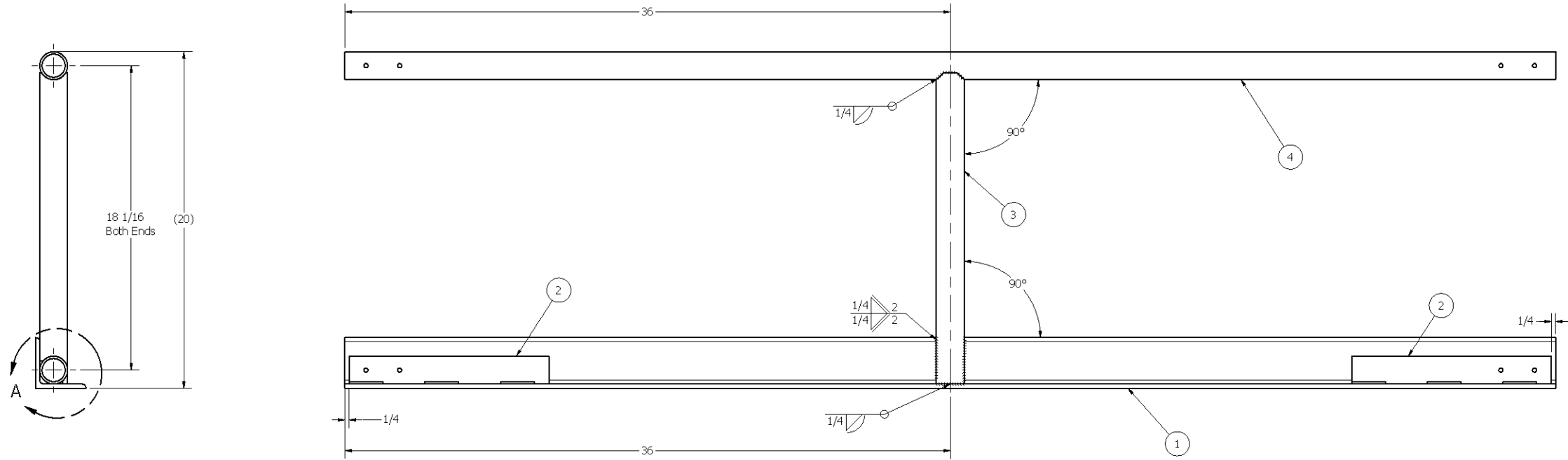


ITEM: 10, FE-00001-10 Plate, Stop  
RESOURCE: 6  
SCALE: 1:4

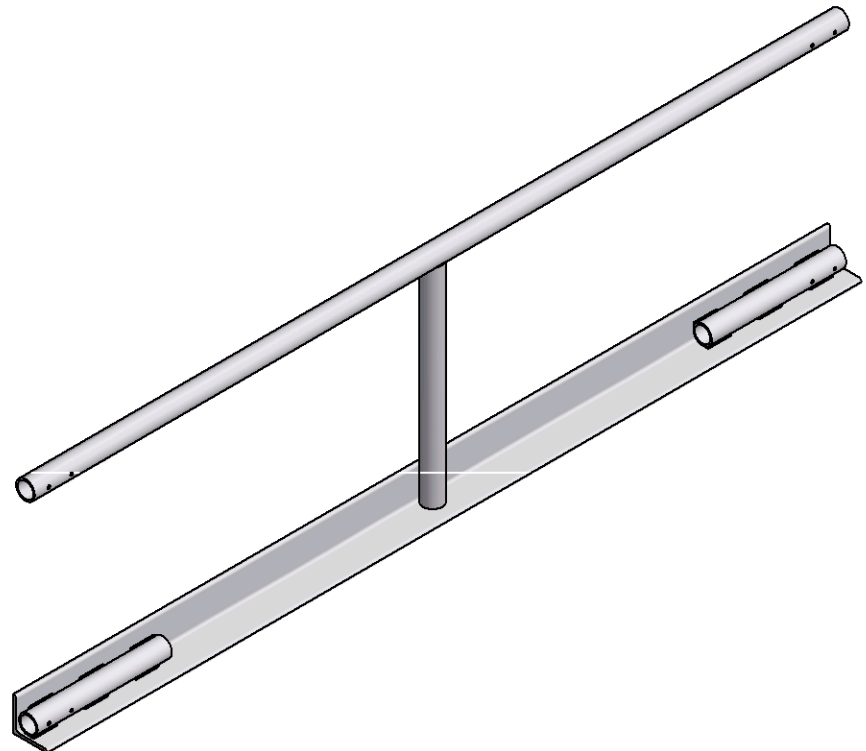
DRAWN narosenberg	5/29/2008	<b>FIRST</b> 200 Bedford Street, Manchester, NH 03101 (603) 666-3906 -- FAX (603) 666-3907	
CHECKED dfoster	8/12/2008		
UNLESS OTHERWISE SPECIFIED		TITLE End Panel	
TOLERANCES: (INCHES)		SIZE	DWG NO
FRAC.	+/- 1/32	D	FE-00004
.00	+/- .01	SCALE	REV 1
.000	+/- .005		
ANGULAR	+/- .25 Deg.	SHEET 3 OF 3	



REVISION HISTORY				
ZONE	REV	DESCRIPTION	DATE	APPROVED
	1	Redrawn	5/28/2008	narosenberg



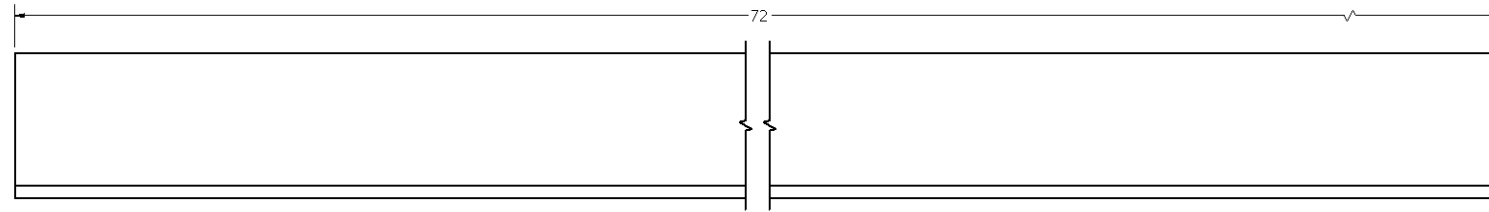
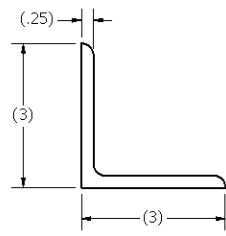
DETAIL A  
SCALE 1 : 1



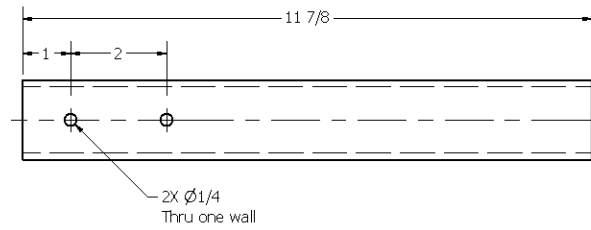
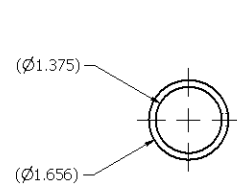
RESOURCES		
RESOURCE	QTY.	DESCRIPTION
1	6'	3" X 3" X 1/4" 6061-T6 ALUMINUM ANGLE
2	10'	1 1/4" SCHEDULE 40 6061-T6 ALUMINUM PIPE

Parts List			
ITEM	QTY	PART NUMBER	DESCRIPTION
1	1	FE-00005-01	Bottom Rail
2	2	FE-00005-02	Connecting Tube
3	1	FE-00005-03	Vertical Support
4	1	FE-00005-04	Top Rail

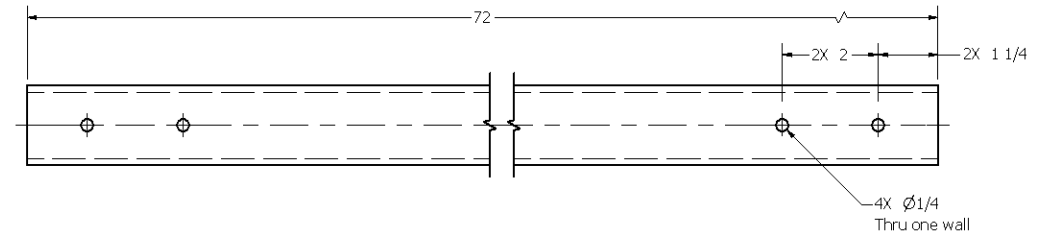
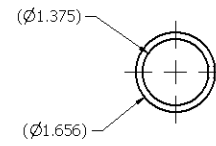
DRAWN dfoster	5/28/2008	<b>FIRST</b> 200 Bedford Street, Manchester, NH 03101 (603) 666-3906 -- FAX (603) 666-3907
CHECKED		
UNLESS OTHERWISE SPECIFIED		TITLE
TOLERANCES: (INCHES)		FIELD RAIL
FRAC.	+/- 1/32	SIZE DWG NO
.00	+/- .01	D FE-00005
.000	+/- .005	REV 1
ANGULAR	+/- .25 Deg.	SCALE
		SHEET 1 OF 2



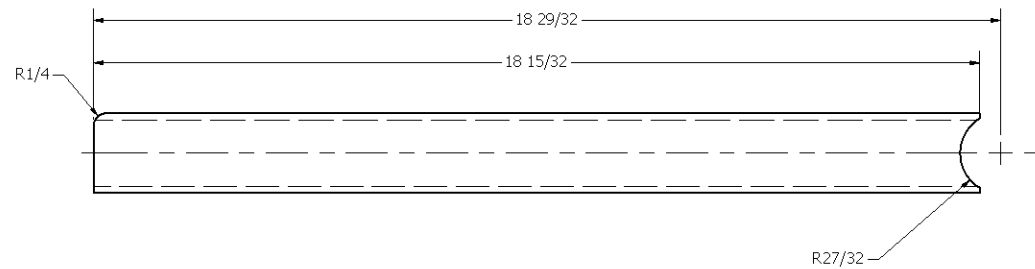
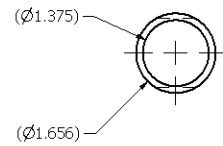
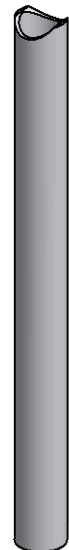
**Item:** FE-00005-0 Bottom Rail  
**Resource:** 1  
**Scale:** 1/2



**Item:** FE-00005-02 Connecting Tube  
**Resource:** 2  
**Scale:** 1/2



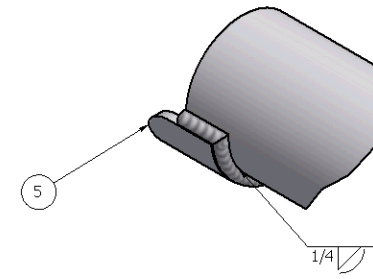
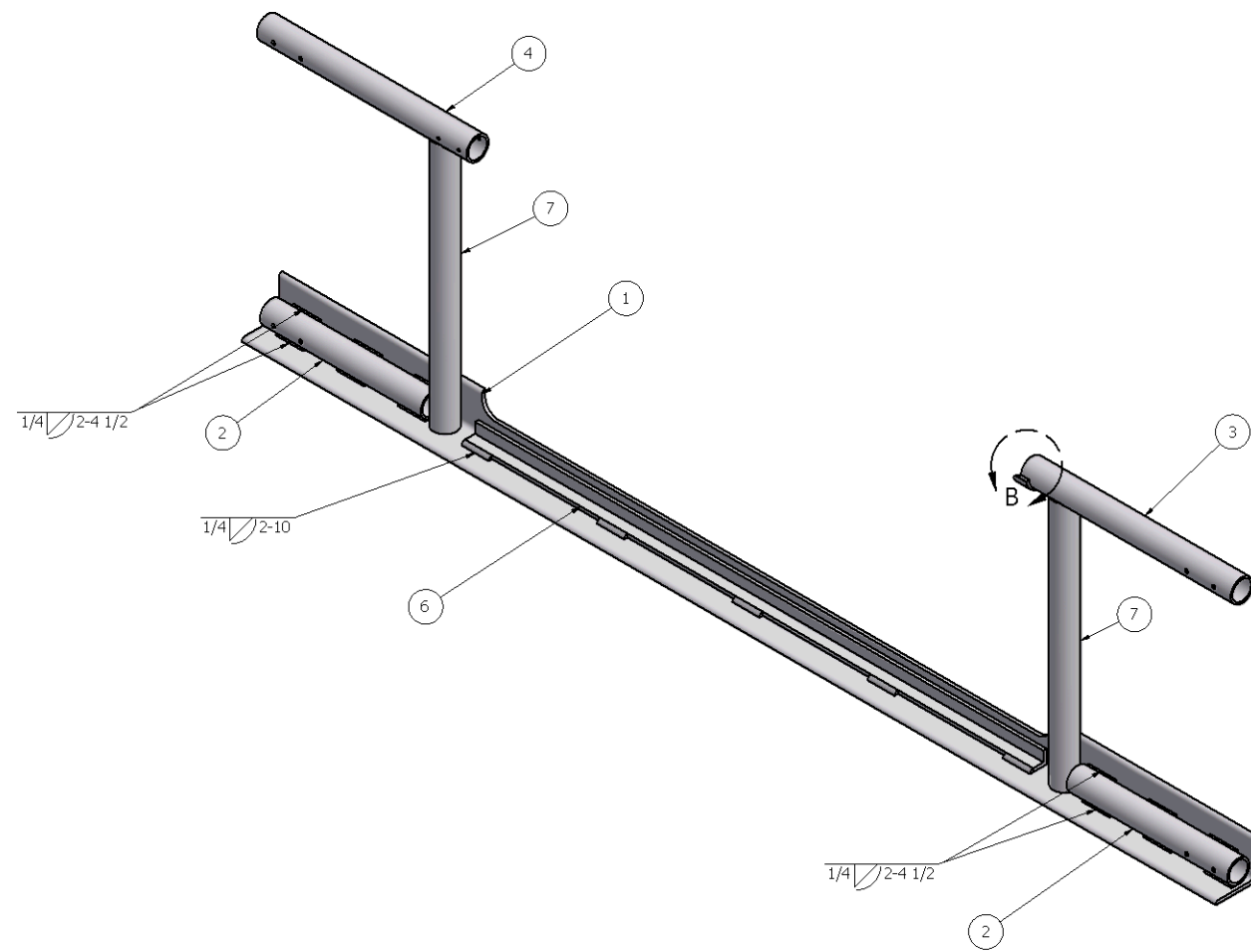
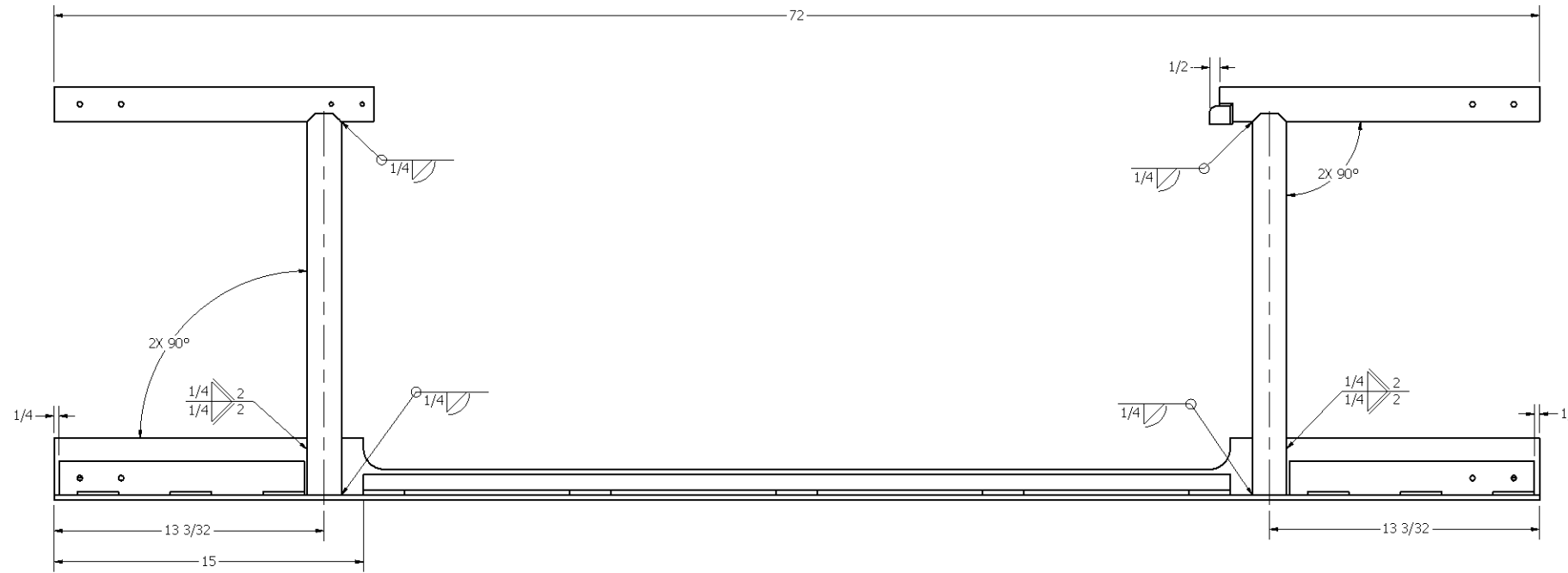
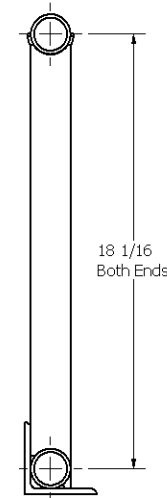
**Item:** FE-00005-04 Top Rail  
**Resource:** 2  
**Scale:** 1/2



**Item:** FE-00005-03 Vertical Support  
**Resource:** 2  
**Scale:** 1/2

DRAWN dfoster	5/28/2008	<b>FIRST</b> 200 Bedford Street, Manchester, NH 03101 (603) 666-3906 -- FAX (603) 666-3907	
CHECKED			
UNLESS OTHERWISE SPECIFIED		TITLE	
TOLERANCES: (INCHES)		FIELD RAIL	
FRAC.	+/- 1/32	SIZE	DWG NO
.00	+/- .01	D	FE-00005
.000	+/- .005	SCALE	REV
ANGULAR	+/- .25 Deg.		1
		SHEET 2 OF 2	

REVISION HISTORY				
ZONE	REV	DESCRIPTION	DATE	APPROVED
	1	Redrawn	8/7/2008	narosenberg

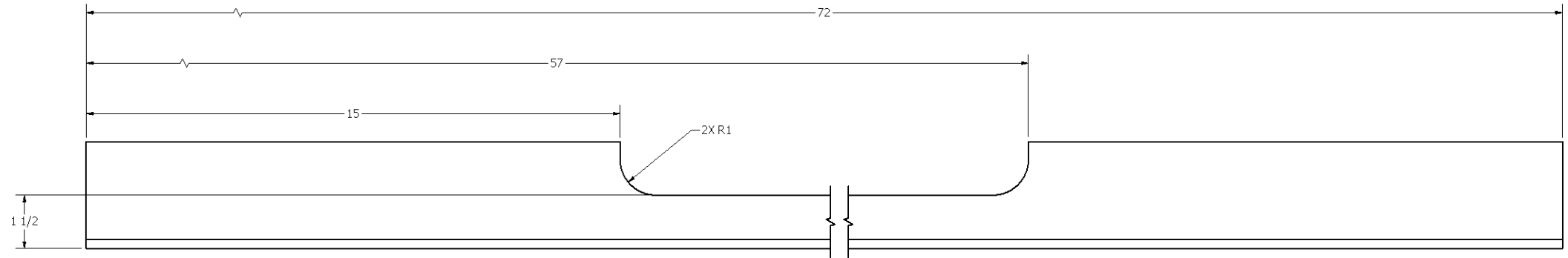
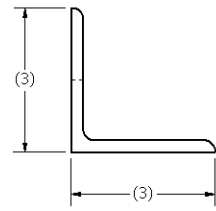


DETAIL B  
SCALE 1 : 1

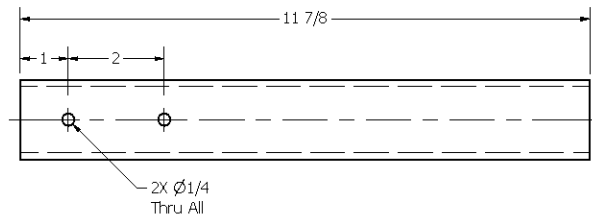
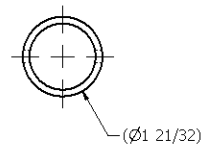
Resources		
Number	Resource	Length
1	3" x 3" x 1/4" 6061-T6 Aluminum Angle	72"
2	1-1/4" Schedule 40 Aluminum Pipe 6061-T6	93"
3	1-1/2" Schedule 40 Aluminum Pipe 6061-T6	1"
4	1" x 1" x 1/4" Aluminum Angle 6061-T6	42"

Parts List			
ITEM	QTY	PART NUMBER	DESCRIPTION
1	1	FE-00006-01	Bottom Rail
2	2	FE-00006-02	Connecting Tube
3	1	FE-00006-03	Upper Rail "A"
4	1	FE-00006-05	Upper Rail "B"
5	1	FE-00006-08	Gate Stop
6	1	FE-00006-09	Ramp Stop
7	2	FE-00006-10	Vertical Support

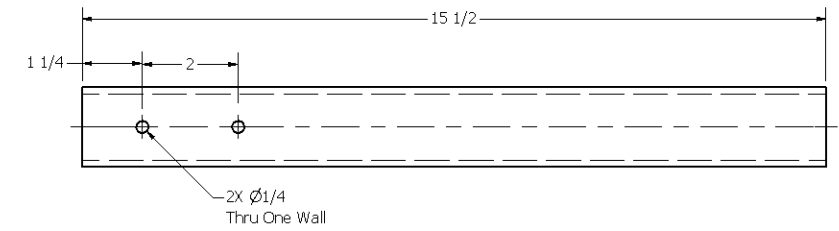
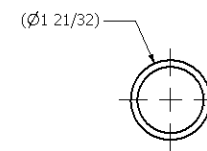
DRAWN dfoster 8/5/2008	CHECKED narosenberg 8/13/2008	<b>FIRST</b> 200 Bedford Street, Manchester, NH 03101 (603) 666-3906 -- FAX (603) 666-3907	
UNLESS OTHERWISE SPECIFIED			
TOLERANCES: (INCHES)		TITLE Field Gate - Weldment	
FRAC.	+/- 1/32	SIZE	DWG NO
.00	+/- .01	D	FE-00006
.000	+/- .005	SCALE	REV 1
ANGULAR	+/- .25 Deg.	SHEET 1 OF 3	



Item: 1, FE-00006-01 Bottom Rail  
 Resource: 1  
 Scale: 1/2

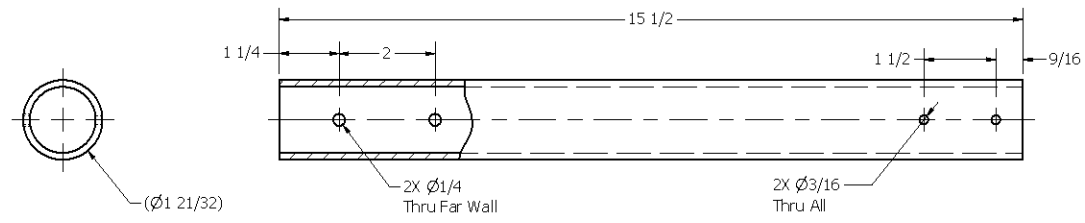


Item: 2, FE-00006-02 Connecting Tube  
 Resource: 2  
 Scale: 1/2

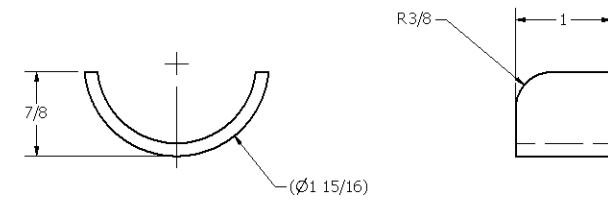


Item: 3, FE-00006-03 Upper Rail "A"  
 Resource: 2  
 Scale: 1/2

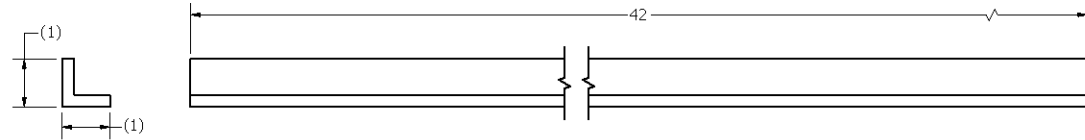
DRAWN dfoster	8/5/2008	<b>FIRST</b> 200 Bedford Street, Manchester, NH 03101 (603) 666-3906 -- FAX (603) 666-3907	
CHECKED narosenberg	8/13/2008		
UNLESS OTHERWISE SPECIFIED		TITLE	
TOLERANCES: (INCHES)		Field Gate - Weldment	
FRAC.	+/- 1/32	SIZE	DWG NO
.00	+/- .01	D	FE-00006
.000	+/- .005	SCALE	REV
ANGULAR	+/- .25 Deg.		1



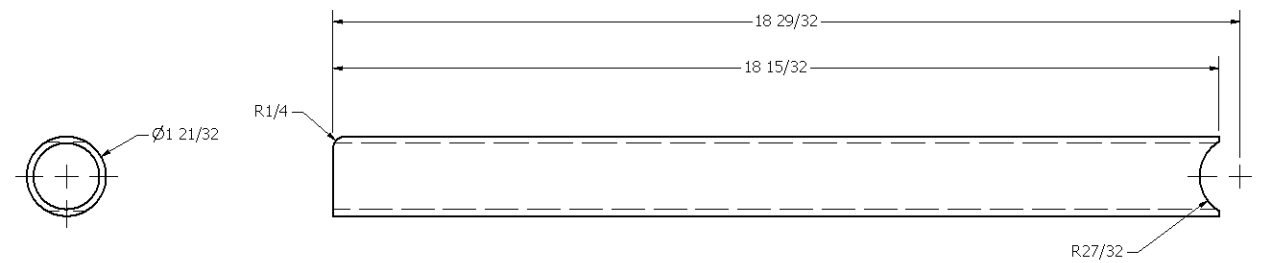
Item: 4, FE-00006-05 Upper Rail "B"  
Resource: 2  
Scale: 1/2



Item: 5, FE-00006-08 Gate Stop  
Resource: 3  
Scale: 1/1

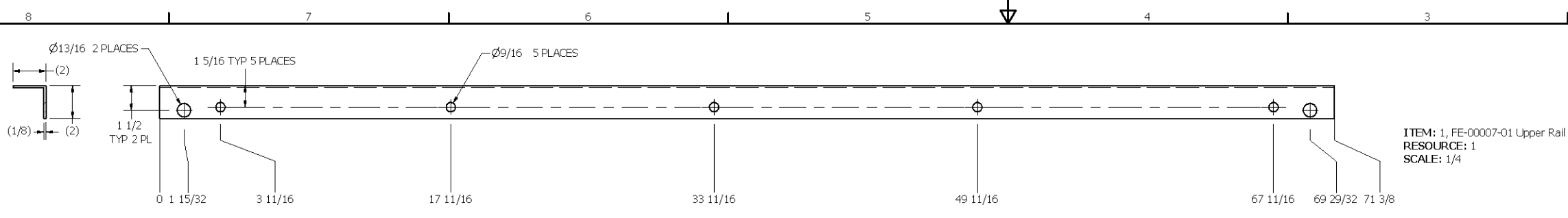


Item: 6, FE-00006-09 Ramp Stop  
Resource: 4  
Scale: 1/2

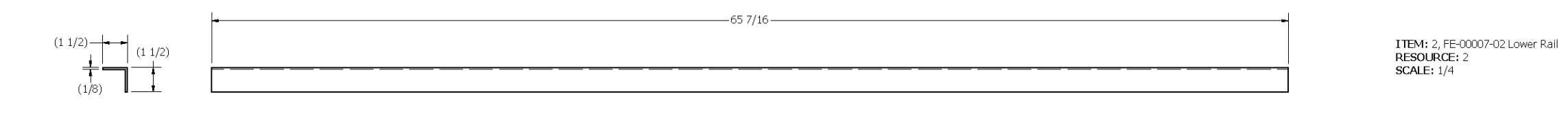


Item: 7, FE-00006-10 Vertical Support  
Resource: 2  
Scale: 1/2

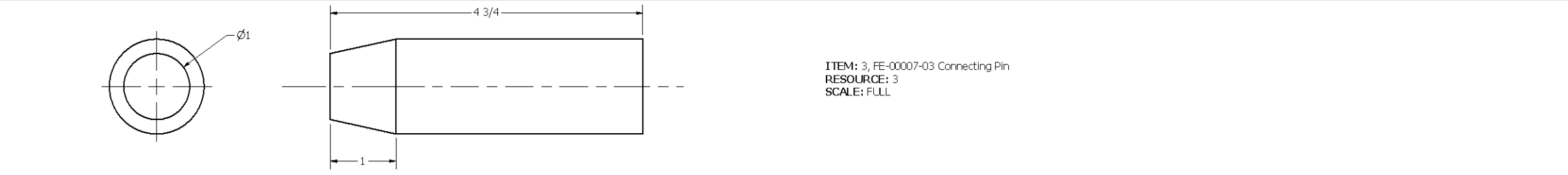
DRAWN dfoster	8/5/2008	<b>FIRST</b> 200 Bedford Street, Manchester, NH 03101 (603) 666-3906 -- FAX (603) 666-3907	
CHECKED narosenberg	8/13/2008		
UNLESS OTHERWISE SPECIFIED		TITLE	
TOLERANCES: (INCHES)		Field Gate - Weldment	
FRAC.	+/- 1/32	SIZE	DWG NO
.00	+/- .01	D	FE-00006
.000	+/- .005	SCALE	REV
ANGULAR	+/- .25 Deg.		1
		SHEET 3 OF 3	



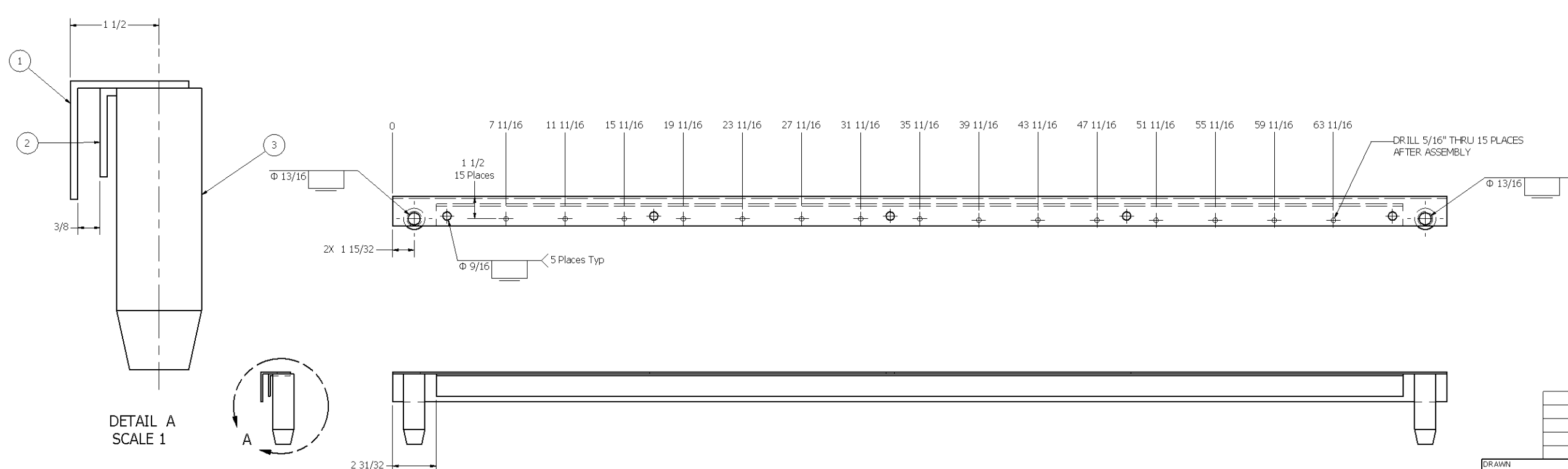
ITEM: 1, FE-00007-01 Upper Rail  
RESOURCE: 1  
SCALE: 1/4



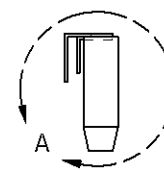
ITEM: 2, FE-00007-02 Lower Rail  
RESOURCE: 2  
SCALE: 1/4



ITEM: 3, FE-00007-03 Connecting Pin  
RESOURCE: 3  
SCALE: FULL



DETAIL A  
SCALE 1



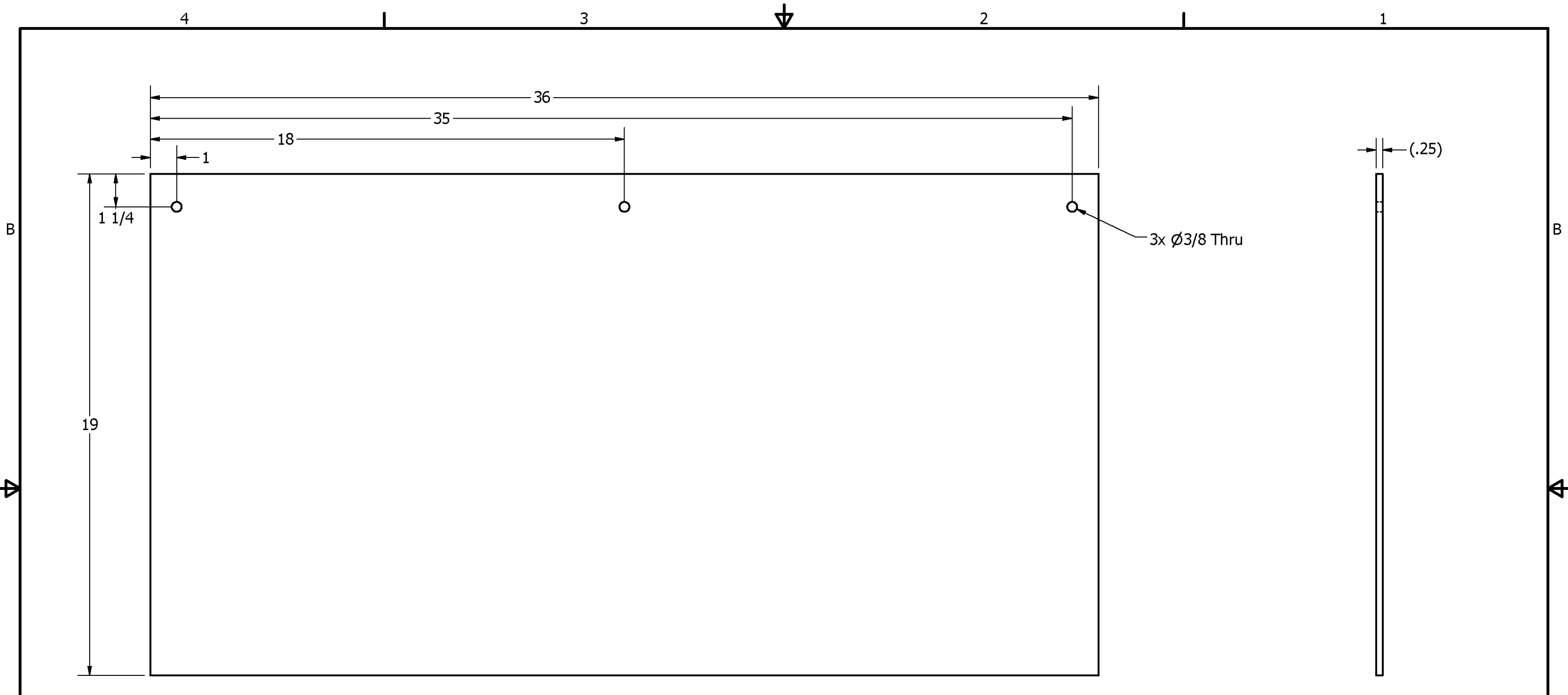
Notes:  
1. Remove all sharp edges and burrs

REVISION HISTORY				
ZONE	REV	DESCRIPTION	DATE	APPROVED
	1	Redrawn	5/27/2008	narosenberg

RESOURCES				
RESOURCE	QTY	DESCRIPTION	LENGTH	PART NO.
1		2" x 2" x 1/8" SQ CORNER 6063 ALUM ANGLE		
2		1 7/16" ALUM ROUND STOCK		
3		1 1/2 X 1 1/2 X 1/8" 6061 ALUM ANGLE		

FE-00007 Field Top Rail Parts List			
ITEM	QTY	PART NUMBER	DESCRIPTION
1	1	FE-00007-01	Upper Rail
2	1	FE-00007-02	Lower Rail
3	2	FE-00004-03	Connecting Pin

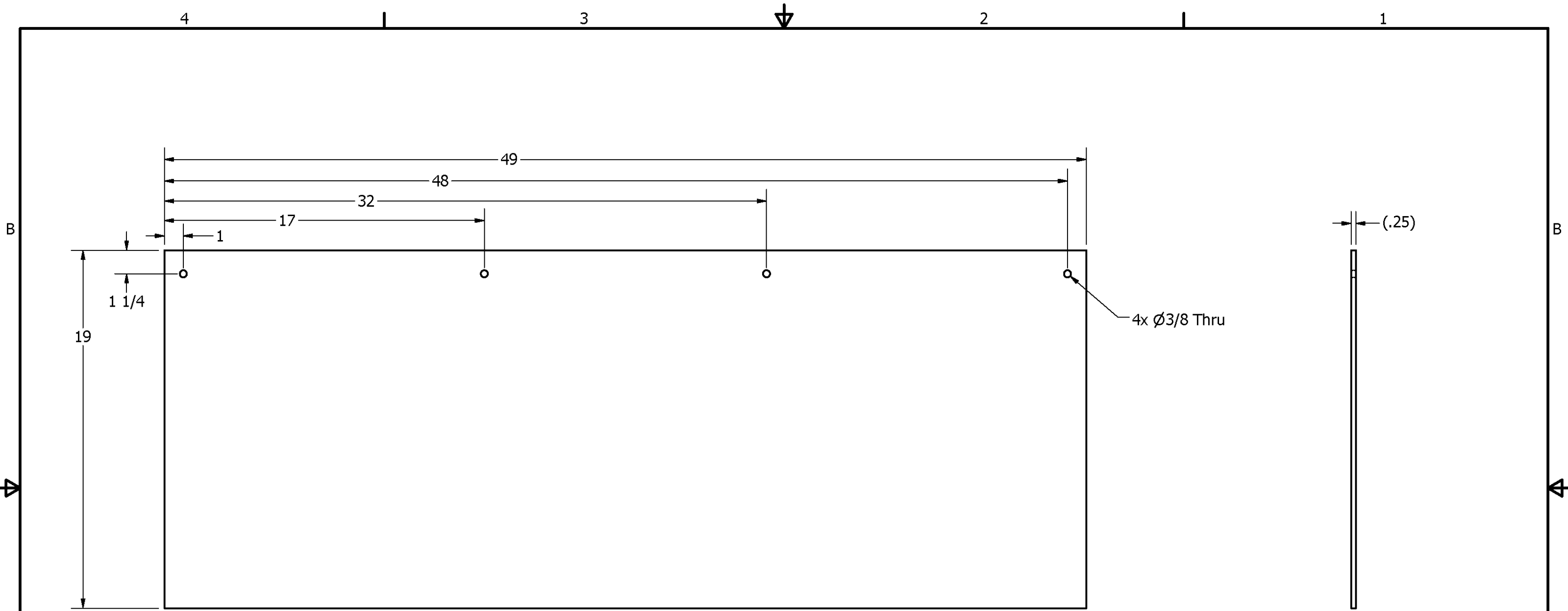
DRAWN narosenberg	5/27/2008	<b>FIRST</b> 200 Bedford Street, Manchester, NH 03101 (603) 666-3906 -- FAX (603) 666-3907	
CHECKED dfoster	3/4/2008		
UNLESS OTHERWISE SPECIFIED		TITLE	
FRAC.	+/- 1/32	FIELD TOP RAIL	
.00	+/- .01	SIZE	DWG NO
.000	+/- .005	D	FE-00007
ANGULAR	+/- .25 Deg.	SCALE	SHEET 1 OF 1
			REV 1



**Notes:**

1. Material: 1/4" Clear Polycarbonate
2. Please remove all sharp edges

DRAWN	mcyr	6/2/2008	<b>FIRST</b> 200 Bedford Street, Manchester, NH 03101 (603) 666-3906 -- FAX (603) 666-3907	
CHECKED				
UNLESS OTHERWISE SPECIFIED			TITLE <b>Field Plastic "A"</b>	
<b>TOLERANCES: (INCHES)</b>				
FRAC.		+/- 1/32		
.00		+/- .01		
.000		+/- .005	SIZE	DWG NO
ANGULAR		+/- .25 Deg.	<b>B</b>	<b>FE-00008</b>
			SCALE	REV
				SHEET 1 OF 1



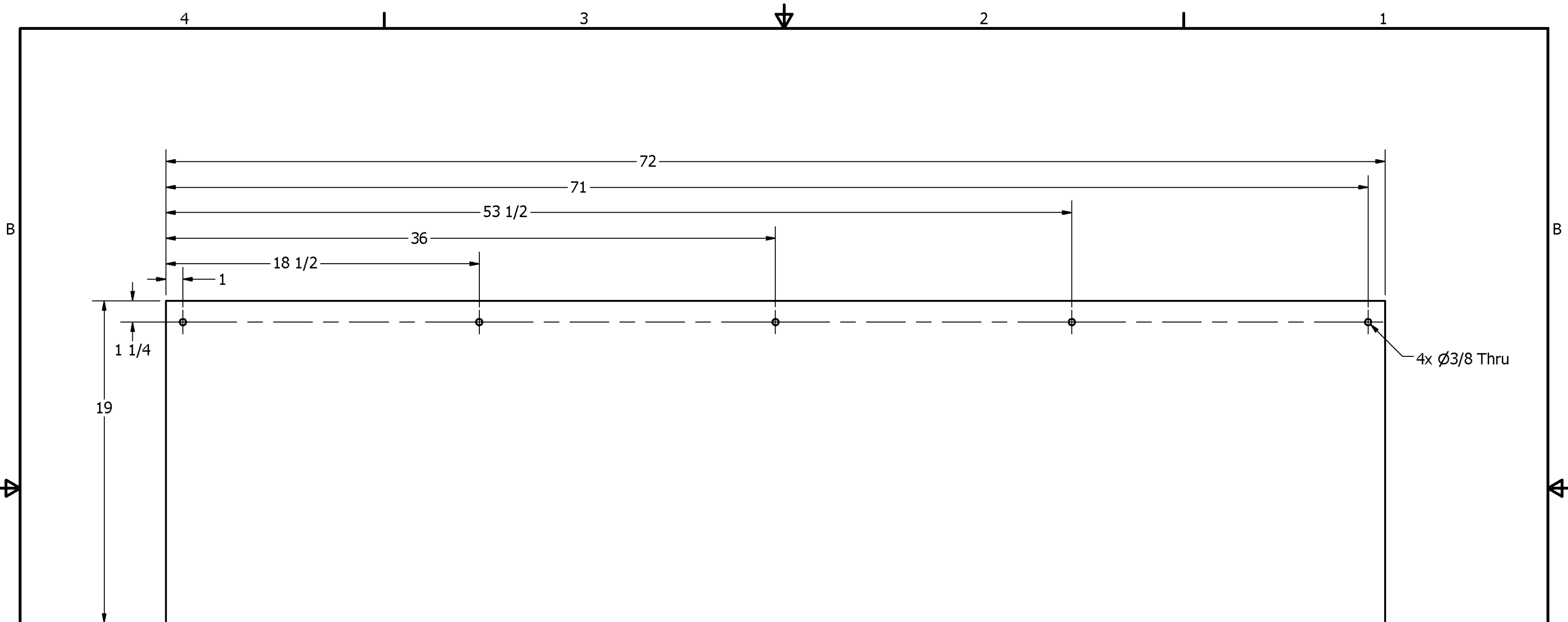
4x  $\phi$ 3/8 Thru

(.25)

- Notes:  
 1. Material: 1/4" Clear Polycarbonate.  
 2. Remove all sharp edges.

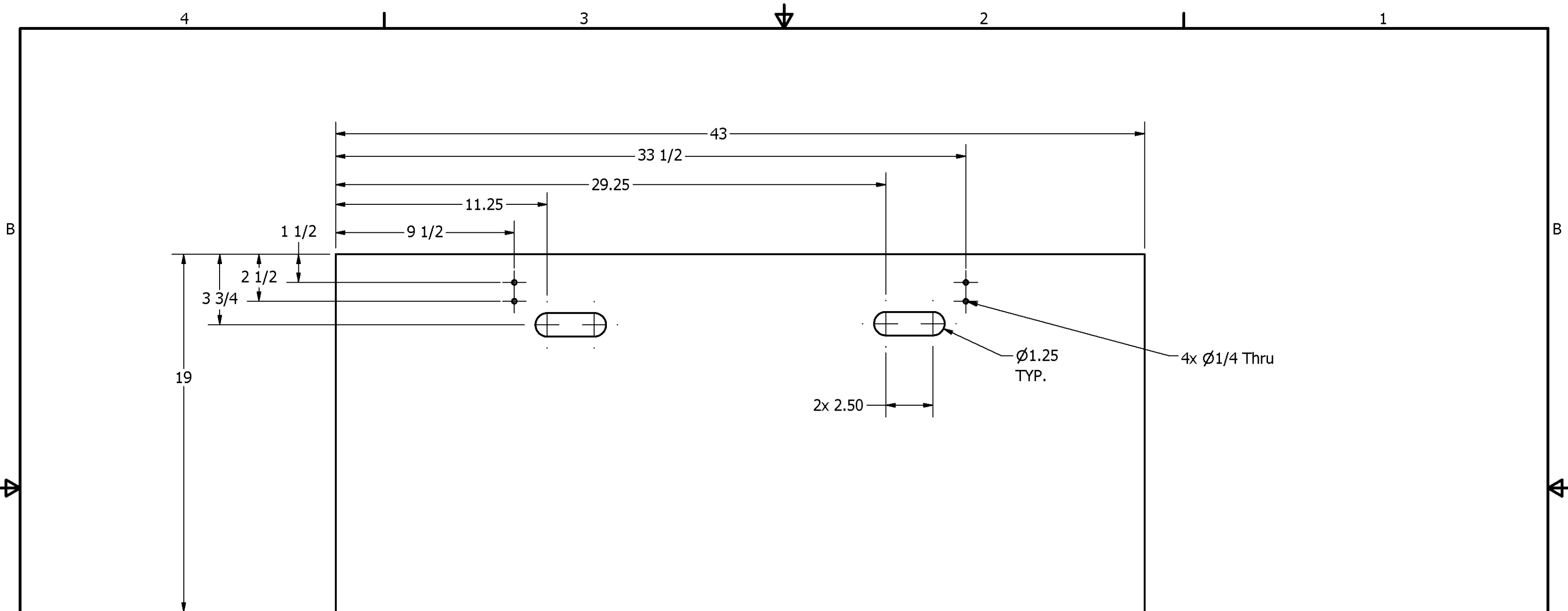
DRAWN	mcyr	6/2/2008	<b>FIRST</b> 200 Bedford Street, Manchester, NH 03101 (603) 666-3906 -- FAX (603) 666-3907		
CHECKED					
UNLESS OTHERWISE SPECIFIED			TITLE <b>Field Plastic "B"</b>		
<b>TOLERANCES: (INCHES)</b>					
FRAC.		+/- 1/32			
.00		+/- .01			
.000		+/- .005	SIZE	DWG NO	REV
ANGULAR		+/- .25 Deg.	<b>B</b>	<b>FE-00009</b>	
			SCALE	SHEET 1 OF 1	





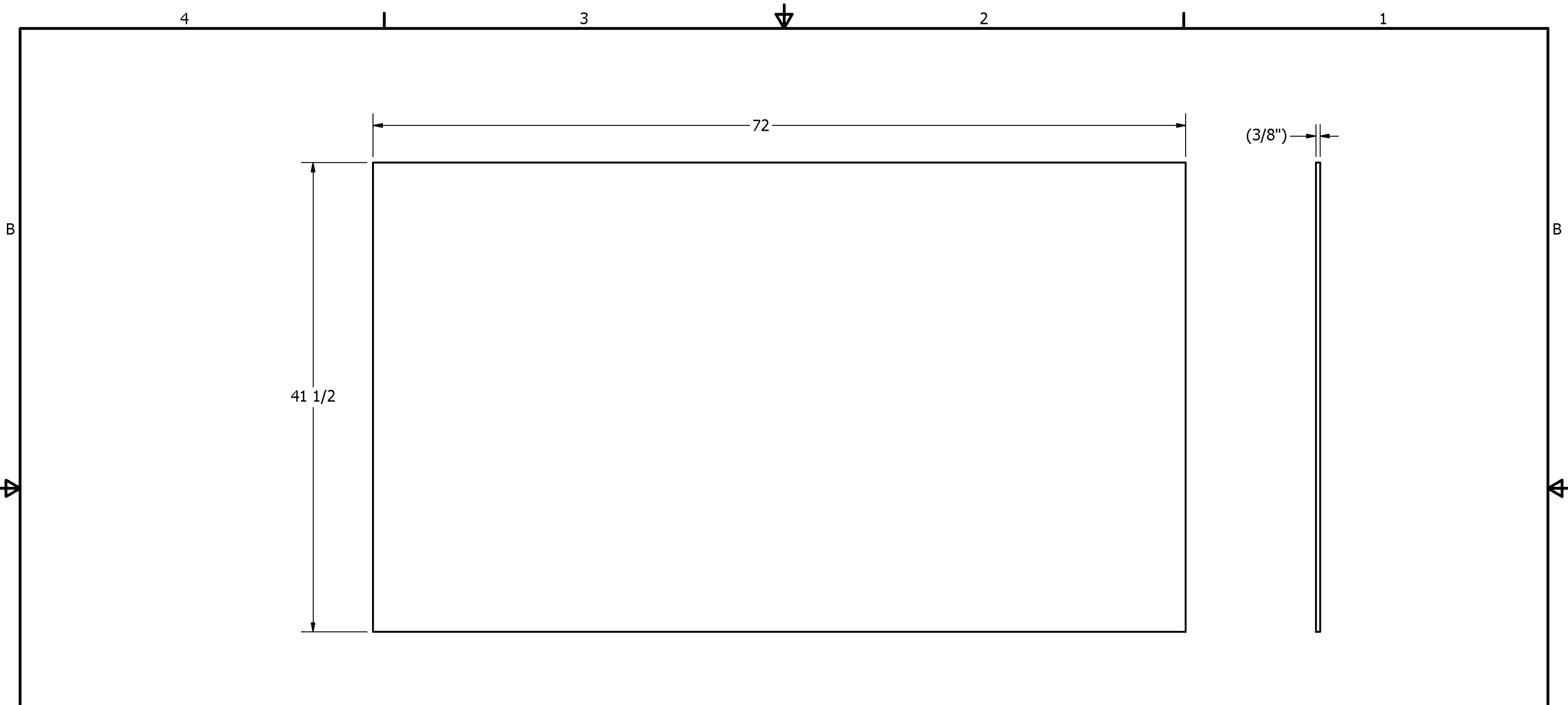
Material: 1/4" Thick Polycarbonate Sheet

DRAWN	mcyr	6/2/2008	<b>FIRST</b> 200 Bedford Street, Manchester, NH 03101 (603) 666-3906 -- FAX (603) 666-3907	
CHECKED		1/2/2009		
UNLESS OTHERWISE SPECIFIED			TITLE <b>Field Plastic "C"</b>	
<b>TOLERANCES: (INCHES)</b>				
FRAC.		+/- 1/32		
.00		+/- .01		
.000		+/- .005	SIZE	DWG NO
ANGULAR		+/- .25 Deg.	<b>B</b>	<b>FE-00010</b>
			SCALE	REV
				SHEET 1 OF 1



Material: 1/4" Thick Polycarbonate Sheet

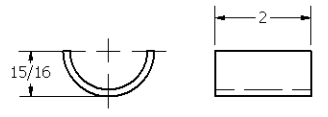
DRAWN	mcyr	6/2/2008	<b>FIRST</b> 200 Bedford Street, Manchester, NH 03101 (603) 666-3906 -- FAX (603) 666-3907	
CHECKED		1/2/2009		
UNLESS OTHERWISE SPECIFIED			TITLE <b>Field Plastic "G"</b>	
<b>TOLERANCES: (INCHES)</b>				
FRAC.		+/- 1/32		
.00		+/- .01		
.000		+/- .005	SIZE	DWG NO
ANGULAR		+/- .25 Deg.	<b>B</b>	<b>FE-00011</b>
			SCALE	REV
				SHEET 1 OF 1



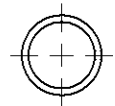
DRAWN mcyr		6/2/2008		<p style="text-align: center;"><b>FIRST</b></p> <p style="text-align: center;">200 Bedford Street, Manchester, NH 03101 (603) 666-3906 -- FAX (603) 666-3907</p>	
CHECKED dfoster		1/2/2009			
UNLESS OTHERWISE SPECIFIED				TITLE <p style="text-align: center;">Drivers Station Acrylic</p>	
<b>TOLERANCES: (INCHES)</b>					
FRAC.	+/- 1/32				
.00	+/- .01			SIZE	DWG NO
.000	+/- .005			<b>B</b>	FE-00012
ANGULAR	+/- .25 Deg.			SCALE	REV
				SHEET 1 OF 1	

Material: 3/8" Thick Acrylic Sheet

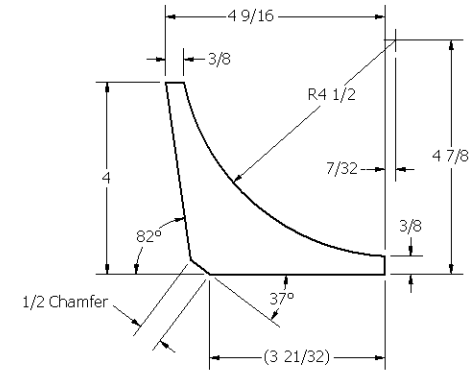
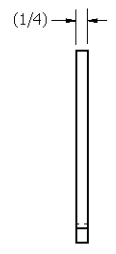
REVISIONS			
REV	DESCRIPTION	DATE	APPROVED
1	Redraw	5/20/2008	narosenberg



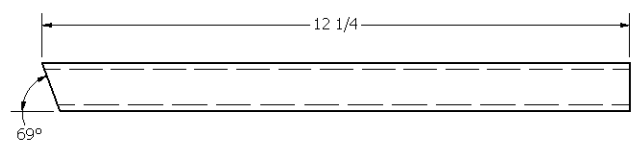
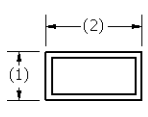
ITEM: 1, FE-00013-01 Rail Cradle  
RESOURCE: 1  
SCALE: 1/2



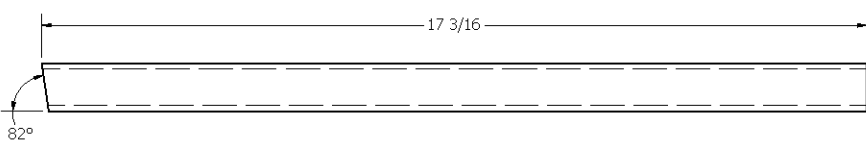
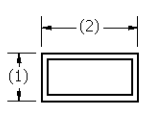
ITEM: 2, FE-00013-02 Bottom Coupling  
RESOURCE: 2  
SCALE: 1/2



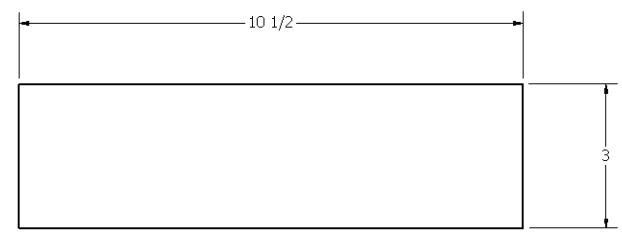
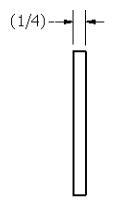
ITEM: 3, FE-00013-03 Gussett  
RESOURCE: 3  
SCALE: 1/2



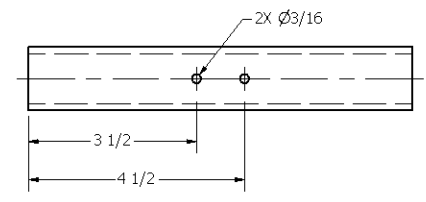
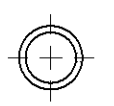
ITEM: 4, FE-00013-04 Mount  
RESOURCE: 4  
SCALE: 1/2



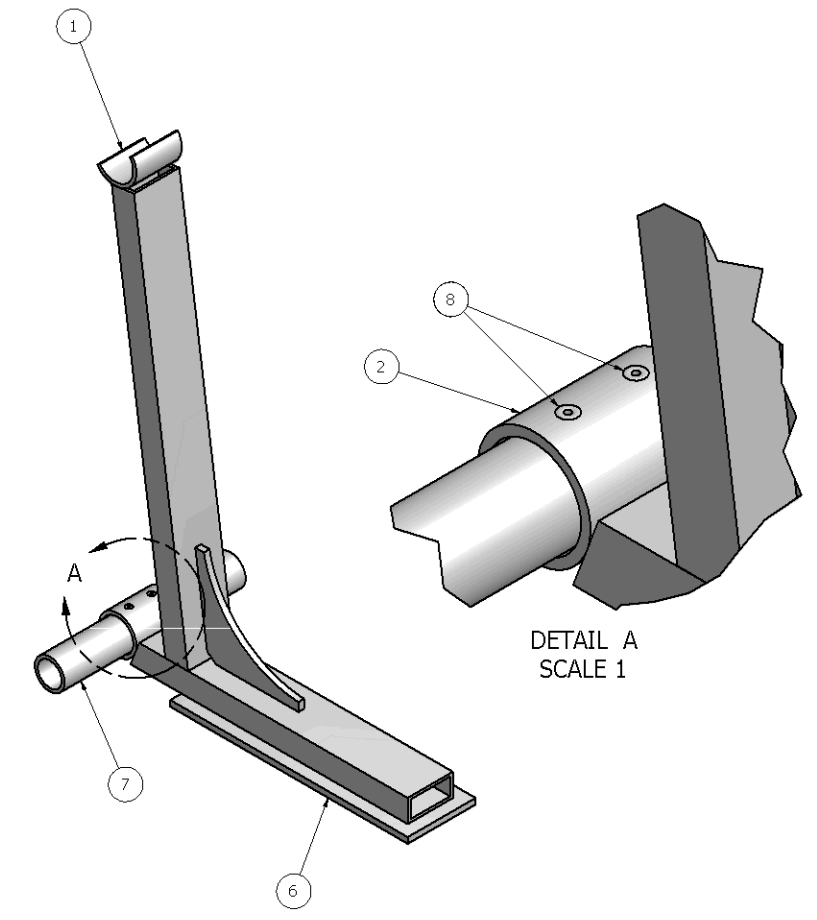
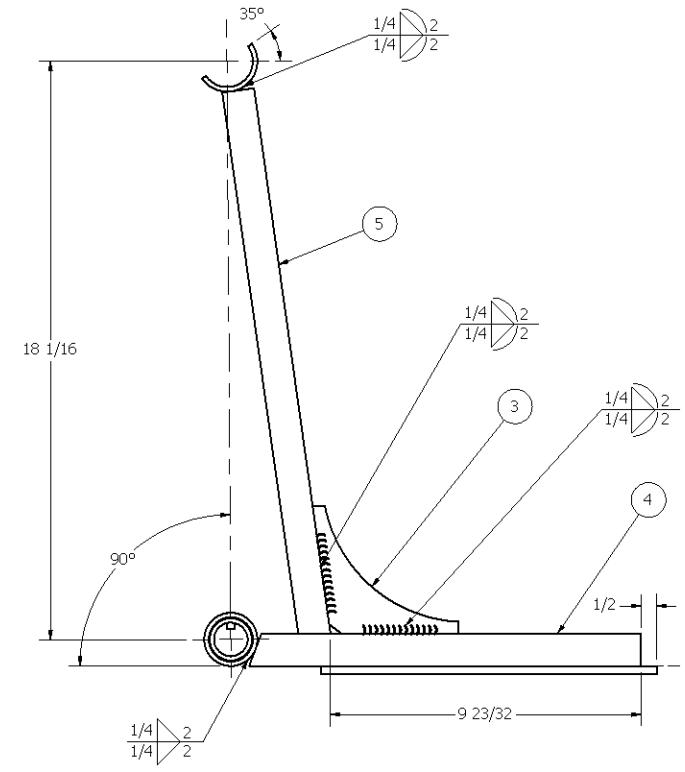
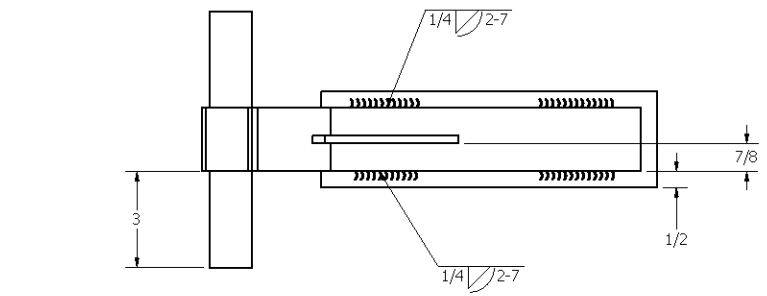
ITEM: 5, FE-00013-05 Support  
RESOURCE: 4  
SCALE: 1/2



ITEM: 6, FE-00013-06 Bottom Plate  
RESOURCE: 5  
SCALE: 1/2



ITEM: 7, FE-00013-07 Connecting Pin  
RESOURCE: 5  
SCALE: 1/2

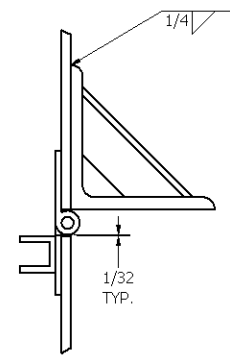


RESOURCE	QTY.	DESCRIPTION	LENGTH	PART NO.
1	1	1 1/2" Schedule 40 6061 Aluminum Tube		
2	1	1-1/4" Schedule 40 6061 Aluminum Tube		
3	1	1/4" 6061 Aluminum Plate		
4	1	1" x 2" x 1/8" 6061 Aluminum Rect. Tube		
5	1	1" Schedule 40 6061 Aluminum Tube		

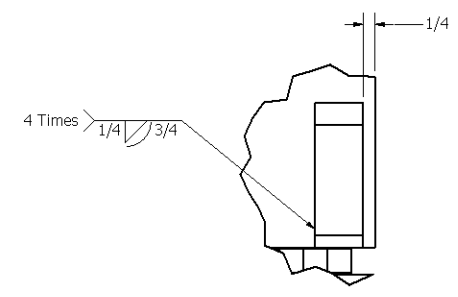
Parts List			
ITEM	QTY	PART NUMBER	DESCRIPTION
1	1	FE-00013-01	Rail Cradle
2	1	FE-00013-02	Bottom Coupling
3	1	FE-00013-03	Gussett
4	1	FE-00013-04	Mount
5	1	FE-00013-05	Support
6	1	FE-00013-06	Bottom Plate
7	1	FE-00013-07	Connecting Pin
8	2	HW-00010	Pop Rivet 3/16 Dia.

DRAWN narosenberg	5/28/2008	<b>FIRST</b> 200 Bedford Street, Manchester, NH 03101 (603) 666-3906 -- FAX (603) 666-3907
CHECKED dfoster	8/4/2008	
UNLESS OTHERWISE SPECIFIED		TITLE
TOLERANCES: (INCHES)		Field Outrigger
FRAC.	+/- 1/32	SIZE DWG NO
.00	+/- .01	D FE-00013
.000	+/- .005	REV 1
ANGULAR	+/- .25 Deg.	SCALE
		SHEET 1 OF 1

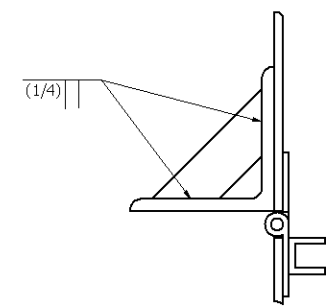
REVISION HISTORY				
ZONE	REV	DESCRIPTION	DATE	APPROVED
	1	Redrawn	5/27/2008	narosenberg



DETAIL B  
SCALE 1 / 2

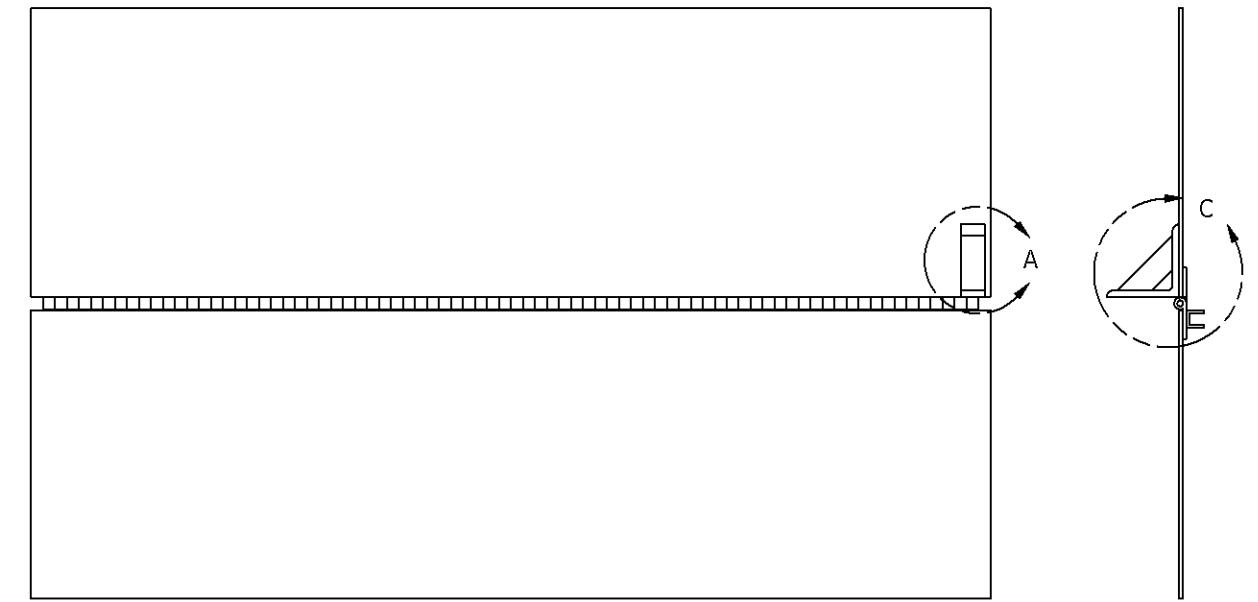
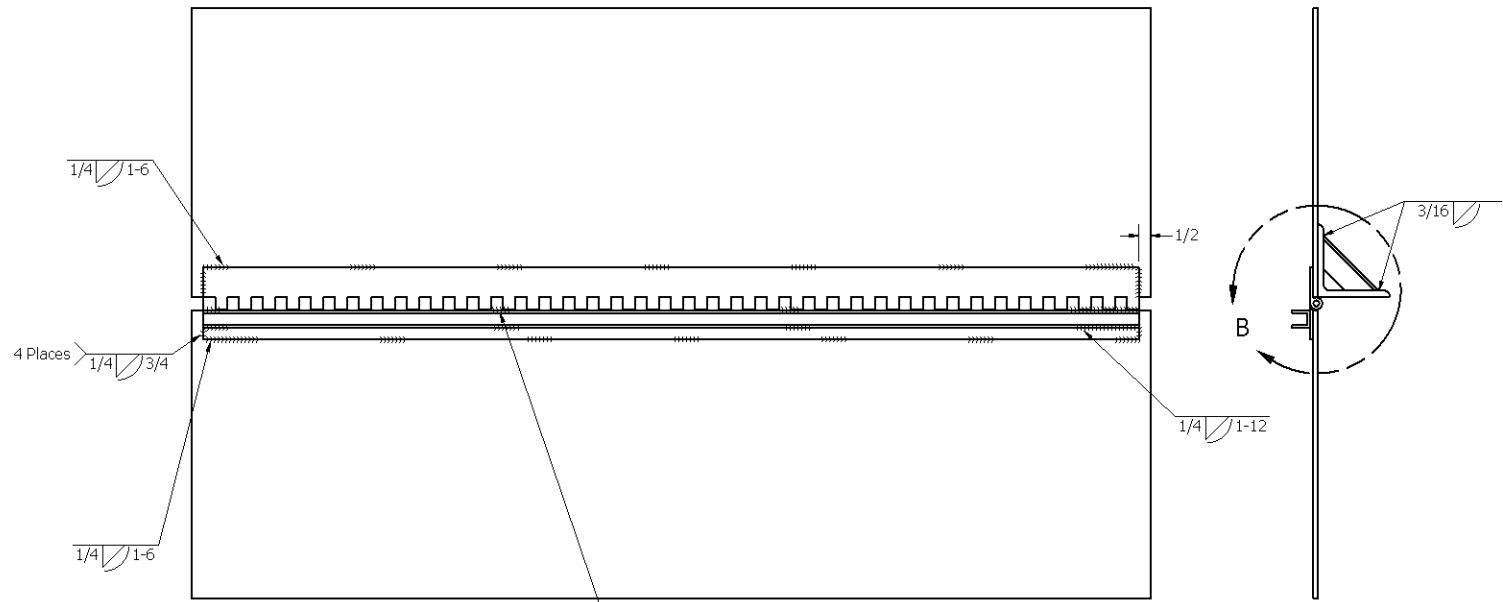


DETAIL A  
SCALE 1 / 2

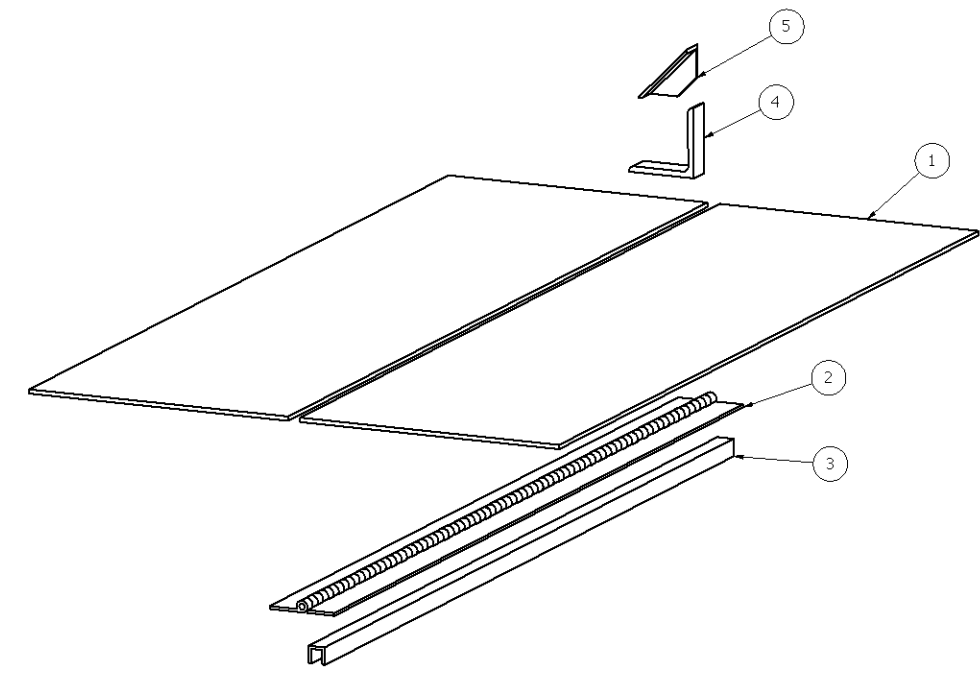
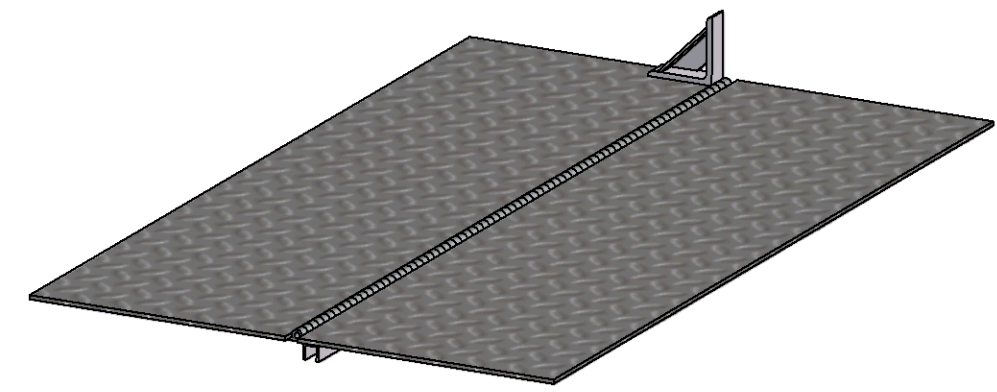


DETAIL C  
SCALE 1 / 2

RESOURCES		
RESOURCE	QTY.	DESCRIPTION
1	AR	3/16" 3003 ALUMINUM DIAMOND PLATE
2	39"	3" ALUMINUM HINGE, 1/4" PIN
3	39"	3/4" X 3/4" X 1/8" 6061-T6 ALUMINUM CHANNEL
4	1"	3" X 3" X 1/4" 6061-T6 ALUMINUM ANGLE
5	4"	1" X 1" X 1/8" 6061-T6 ALUMINUM ANGLE

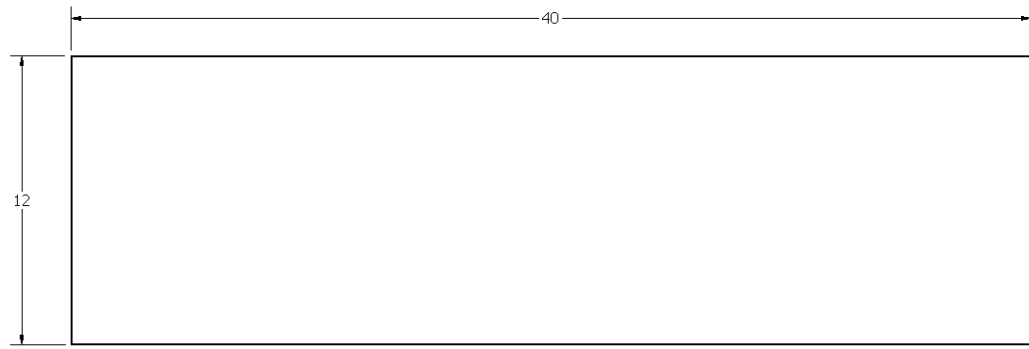


1/4 3/4-12 welds should be centered on fingers of hinge.

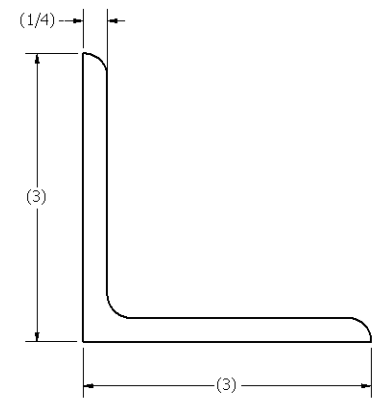
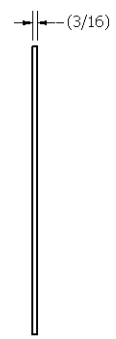


Parts List			
ITEM	QTY	PART NUMBER	DESCRIPTION
1	2	FE-00014-01	Ramp Plate
2	1	FE-00014-02	Hinge
3	1	FE-00014-03	Channel
4	1	FE-00014-04	Kick Angle
5	1	FE-00014-05	Gusset

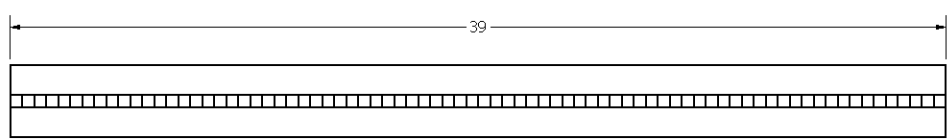
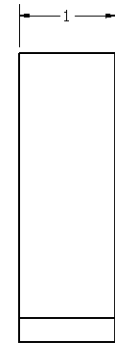
DRAWN dfoster	5/27/2008	<b>FIRST</b> 200 Bedford Street, Manchester, NH 03101 (603) 666-3906 -- FAX (603) 666-3907
CHECKED narosenberg	3/4/2008	
UNLESS OTHERWISE SPECIFIED		TITLE Field Entry Ramp
FRAC.	+/- 1/32	SIZE DWG NO
.00	+/- .01	D FE-00014
.000	+/- .005	SCALE
ANGULAR	+/- .25 Deg.	SHEET 1 OF 2
		REV 1



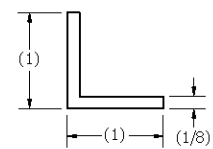
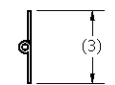
ITEM: 1, FE-00014-01 Ramp Plate  
 RESOURCE: 1  
 SCALE: 1/4



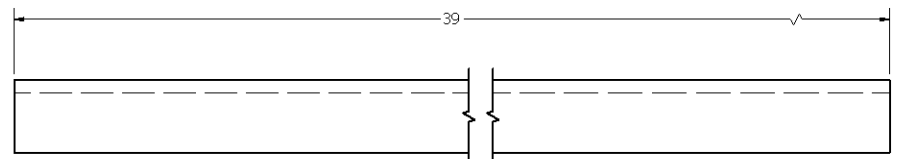
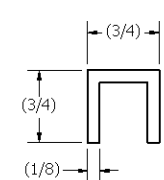
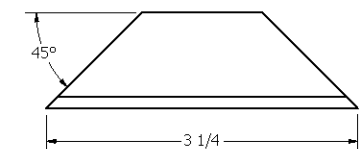
ITEM: 1, FE-00014-04 Kick Angle  
 RESOURCE: 4  
 SCALE: 1/1



ITEM: 1, FE-00014-02 Hinge  
 RESOURCE: 2  
 SCALE: 1/4



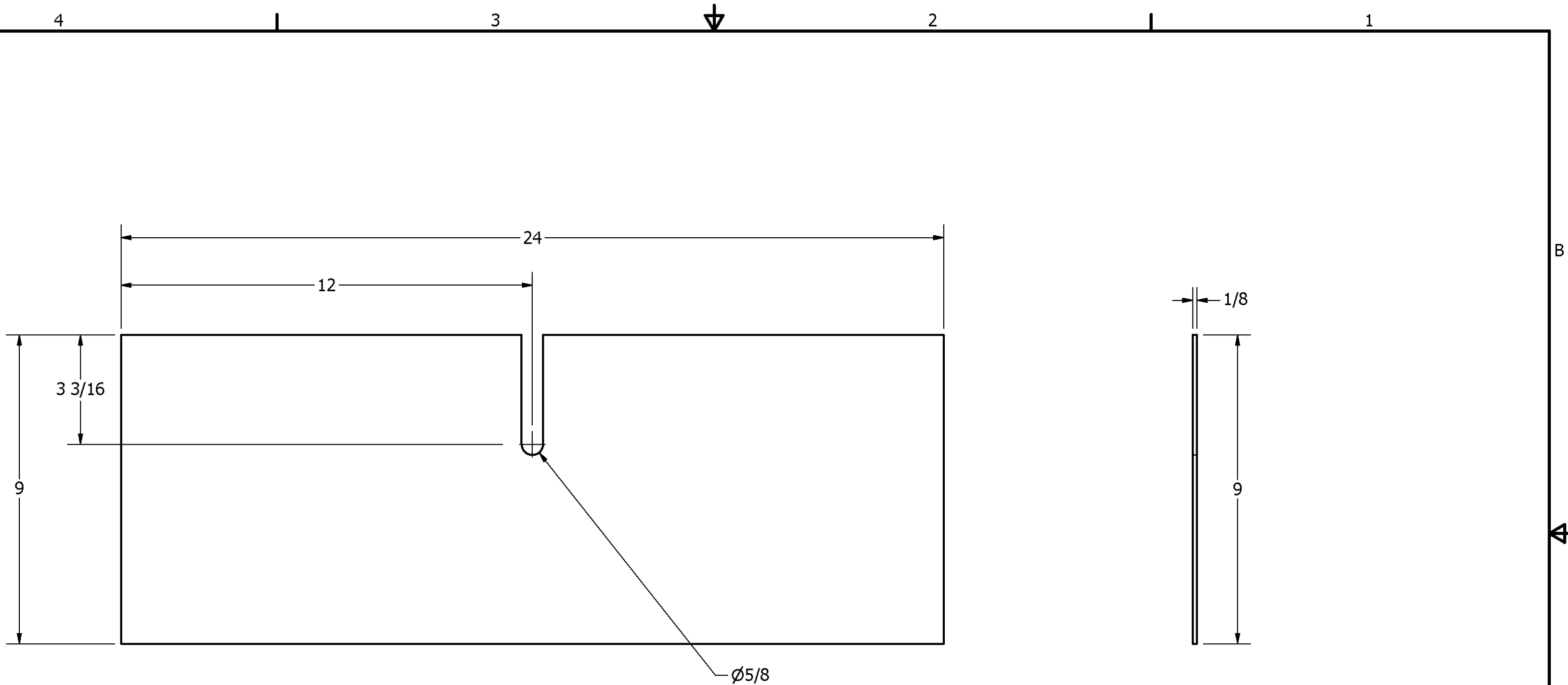
ITEM: 1, FE-00014-05 Gusset  
 RESOURCE: 5  
 SCALE: 1/1



ITEM: 1, FE-00014-03 Channel  
 RESOURCE: 3  
 SCALE: 1/1

Note: Remove all sharp edges.

DRAWN dfoster	5/27/2008	<b>FIRST</b> 200 Bedford Street, Manchester, NH 03101 (603) 666-3906 -- FAX (603) 666-3907	
CHECKED narosenberg	3/4/2008		
UNLESS OTHERWISE SPECIFIED		TITLE	
TOLERANCES: (INCHES)		Field Entry Ramp	
FRAC.	+/- 1/32	SIZE	DWG NO
.00	+/- .01	D	FE-00014
.000	+/- .005	SCALE	REV 1
ANGULAR	+/- .25 Deg.	SHEET 2 OF 2	

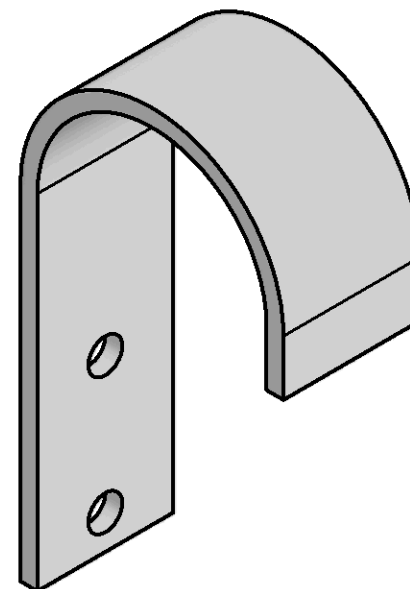
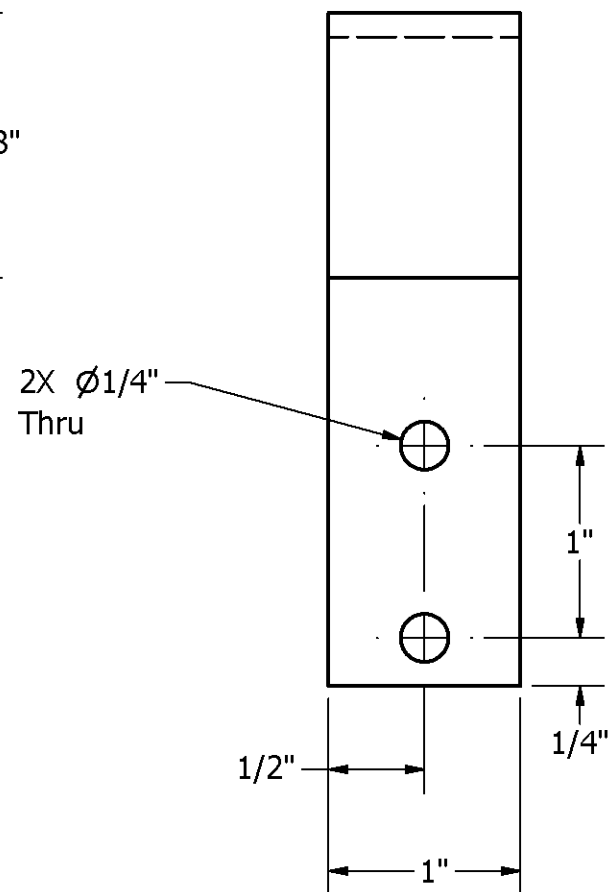
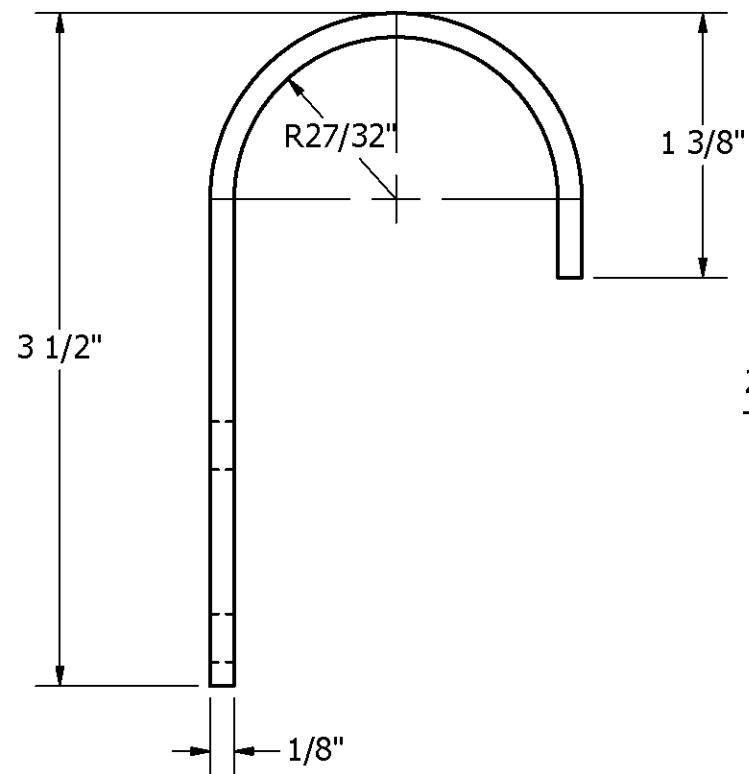


Notes:

1. Material to be HDPE, Yellow.
2. Remove all sharp edges

DRAWN dfoster 1/2/2009		<b>FIRST</b> 200 Bedford Street, Manchester, NH 03101 (603) 666-3906 -- FAX (603) 666-3907		
CHECKED				
UNLESS OTHERWISE SPECIFIED				
<b>TOLERANCES: (INCHES)</b>				
FRAC.	+/- 1/32	TITLE <b>Trip Guard</b>		
.00	+/- .01			
.000	+/- .005			
ANGULAR	+/- .25 Deg.	SIZE <b>B</b>	DWG NO <b>FE-00015</b>	REV
		SCALE	SHEET 1 OF 1	

REVISION HISTORY				
ZONE	REV	DESCRIPTION	DATE	APPROVED
	1	redrawn	5/30/2008	dfoster

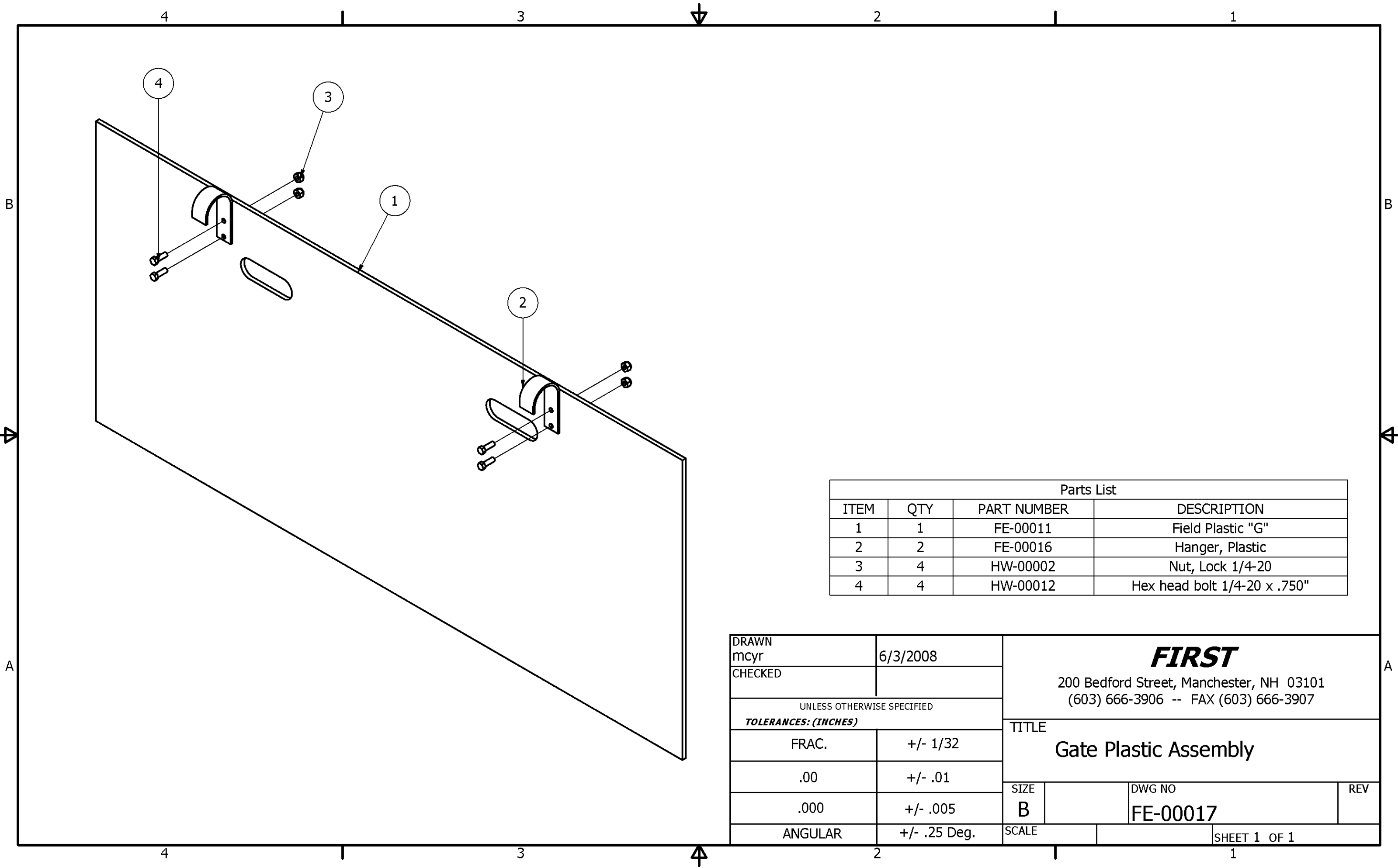


Notes:

1. Material: 6061-T6 Aluminum
2. Remove all sharp edges.

DRAWN dfoster	5/30/2008	<b>FIRST</b> 200 Bedford Street, Manchester, NH 03101 (603) 666-3906 -- FAX (603) 666-3907		
CHECKED narosenberg	8/4/2008			
UNLESS OTHERWISE SPECIFIED		TITLE <b>Hanger, Plastic</b>		
<b>TOLERANCES: (INCHES)</b>				
FRAC.	+/- 1/32			
.00	+/- .01			
.000	+/- .005	SIZE <b>B</b>	DWG NO <b>FE-00016</b>	REV <b>1</b>
ANGULAR	+/- .25 Deg.	SCALE	SHEET 1 OF 1	

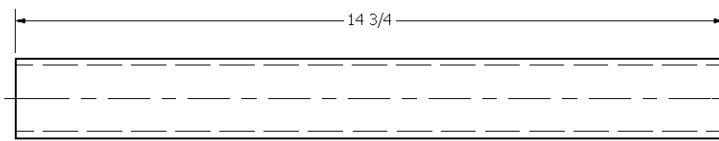
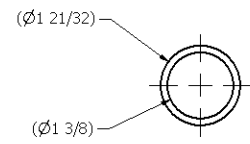
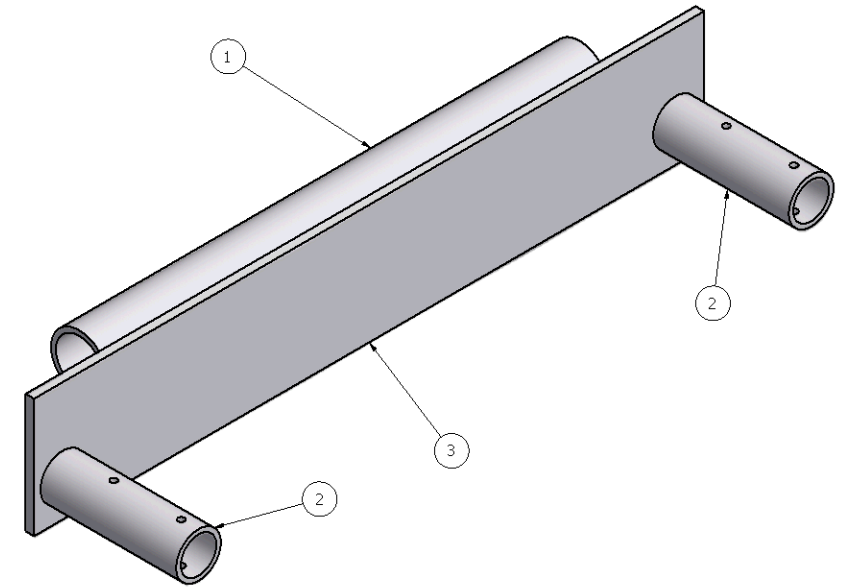
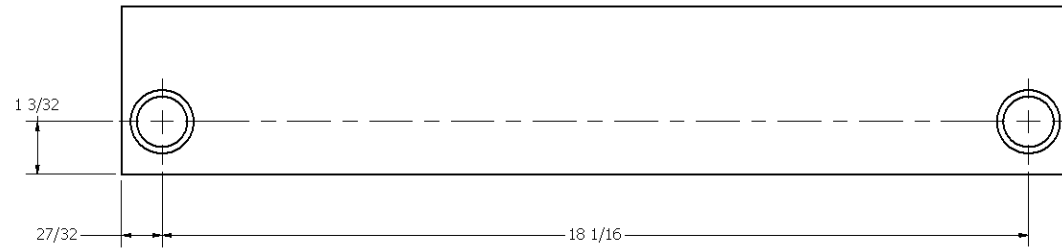
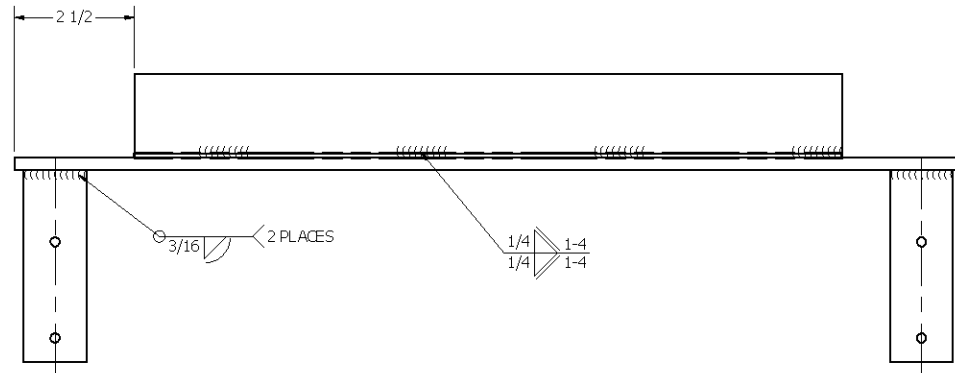
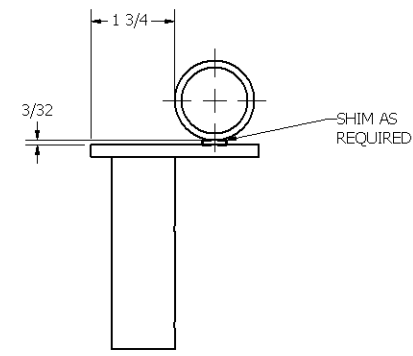




Parts List			
ITEM	QTY	PART NUMBER	DESCRIPTION
1	1	FE-00011	Field Plastic "G"
2	2	FE-00016	Hanger, Plastic
3	4	HW-00002	Nut, Lock 1/4-20
4	4	HW-00012	Hex head bolt 1/4-20 x .750"

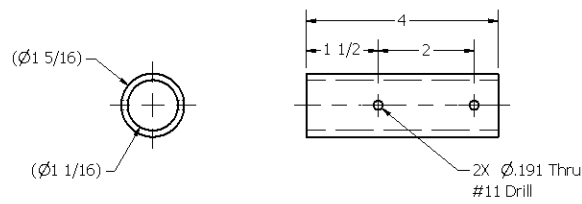
DRAWN mcyr	6/3/2008	<b>FIRST</b> 200 Bedford Street, Manchester, NH 03101 (603) 666-3906 -- FAX (603) 666-3907		
CHECKED				
UNLESS OTHERWISE SPECIFIED		TITLE <b>Gate Plastic Assembly</b>		
<b>TOLERANCES: (INCHES)</b>				
FRAC.	+/- 1/32			
.00	+/- .01			
.000	+/- .005	SIZE <b>B</b>	DWG NO <b>FE-00017</b>	REV
ANGULAR	+/- .25 Deg.	SCALE	SHEET 1 OF 1	

REVISION HISTORY				
ZONE	REV	DESCRIPTION	DATE	APPROVED
	1	redrawn	5/30/2008	narosenberg

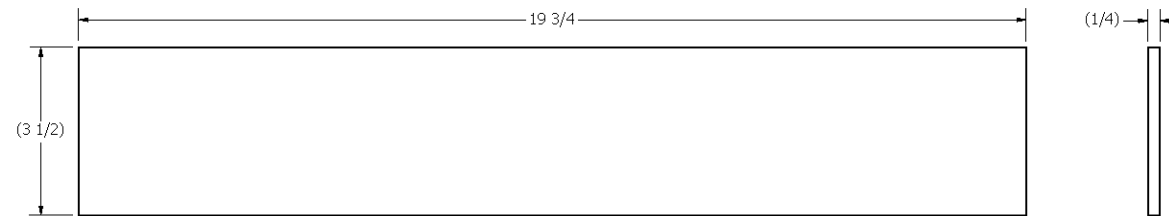


ITEM: 1, FE-00018-01 CONNECTING TUBE  
RESOURCE: 1  
SCALE: 1/2

RESOURCES		
RESOURCE	QTY.	DESCRIPTION
1	15"	1 1/4" SCHEDULE 40 6061-T6 ALUMINUM PIPE
2	8"	1" SCHEDULE 40 6061-T6 ALUMINUM PIPE
3	20"	3 1/2" X 1/4" 6061-T6 ALUMINUM BAR



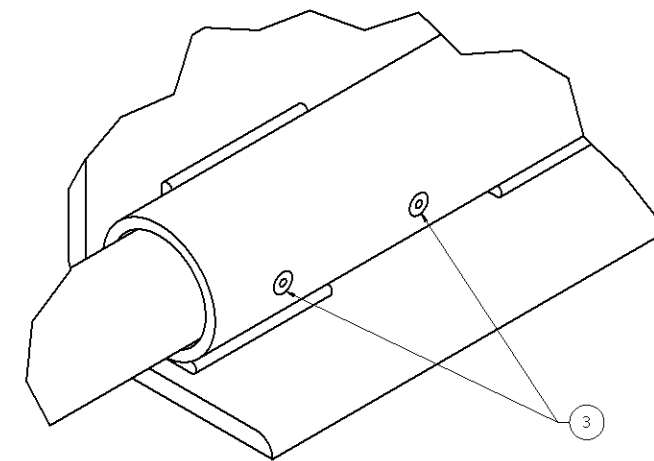
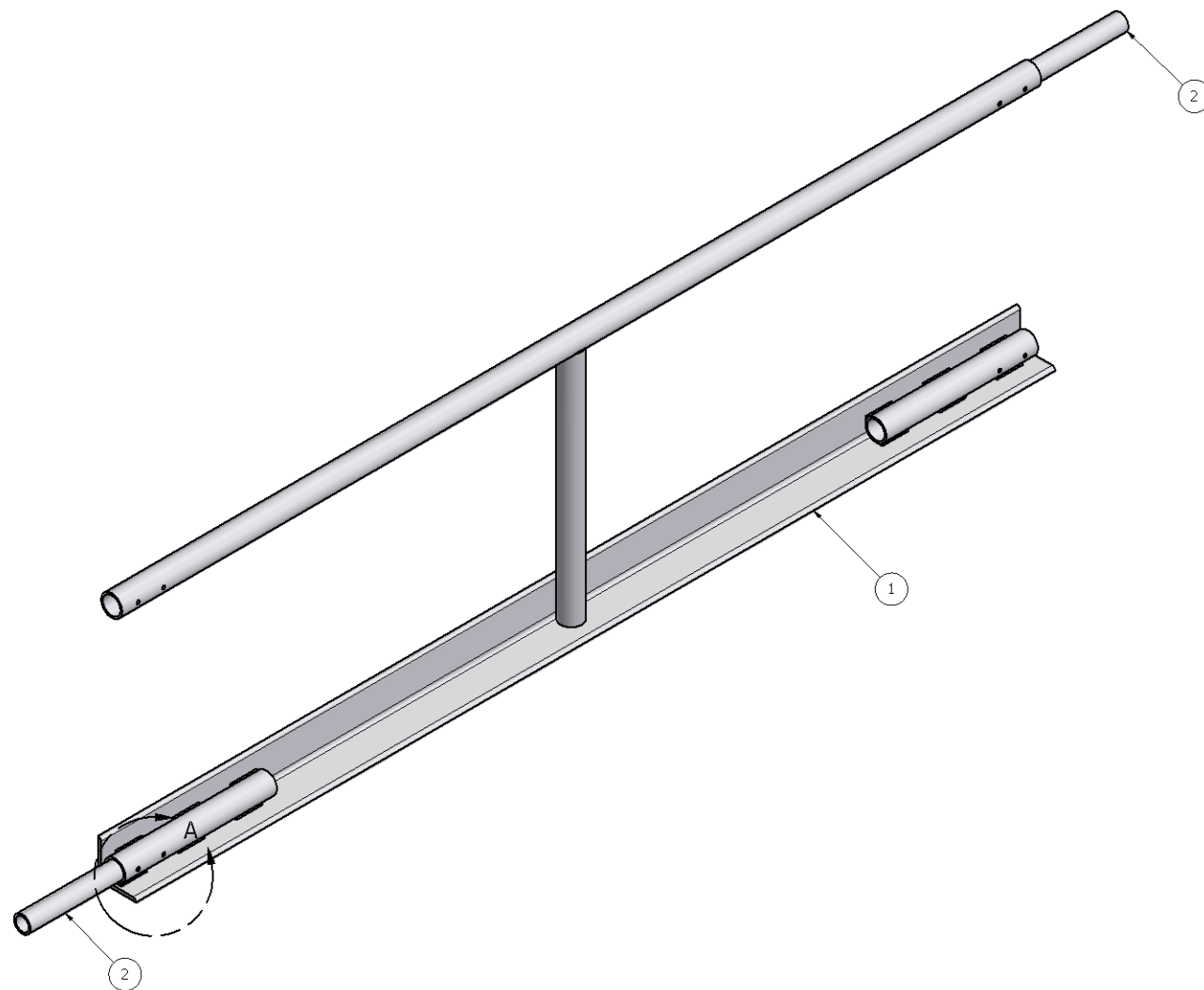
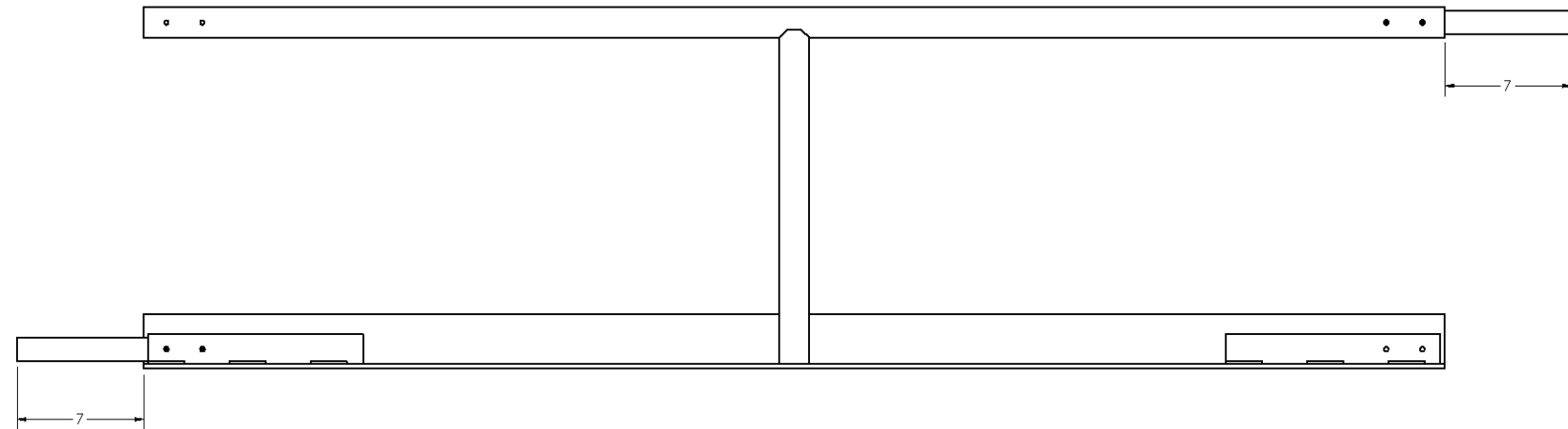
ITEM: 2, FE-00018-02 INSERT TUBE  
RESOURCE: 2  
SCALE: 1/2



ITEM: 3, FE-00018-03 MOUNTING PLATE  
RESOURCE: 3  
SCALE: 1/2

Parts List			
ITEM	QTY	PART NUMBER	DESCRIPTION
1	1	FE-00018-01	Connecting Tube
2	2	FE-00018-02	Insert Tube
3	1	FE-00018-03	Mounting Plate

DRAWN dfoster	5/30/2008	<b>FIRST</b> 200 Bedford Street, Manchester, NH 03101 (603) 666-3906 -- FAX (603) 666-3907
CHECKED narosenberg	8/4/2008	
UNLESS OTHERWISE SPECIFIED		
TOLERANCES: (INCHES)		TITLE CORNER CONNECTOR
FRAC.	+/- 1/32	SIZE DWG NO
.00	+/- .01	D FE-00018
.000	+/- .005	SCALE
ANGULAR	+/- .25 Deg.	SHEET 1 OF 1

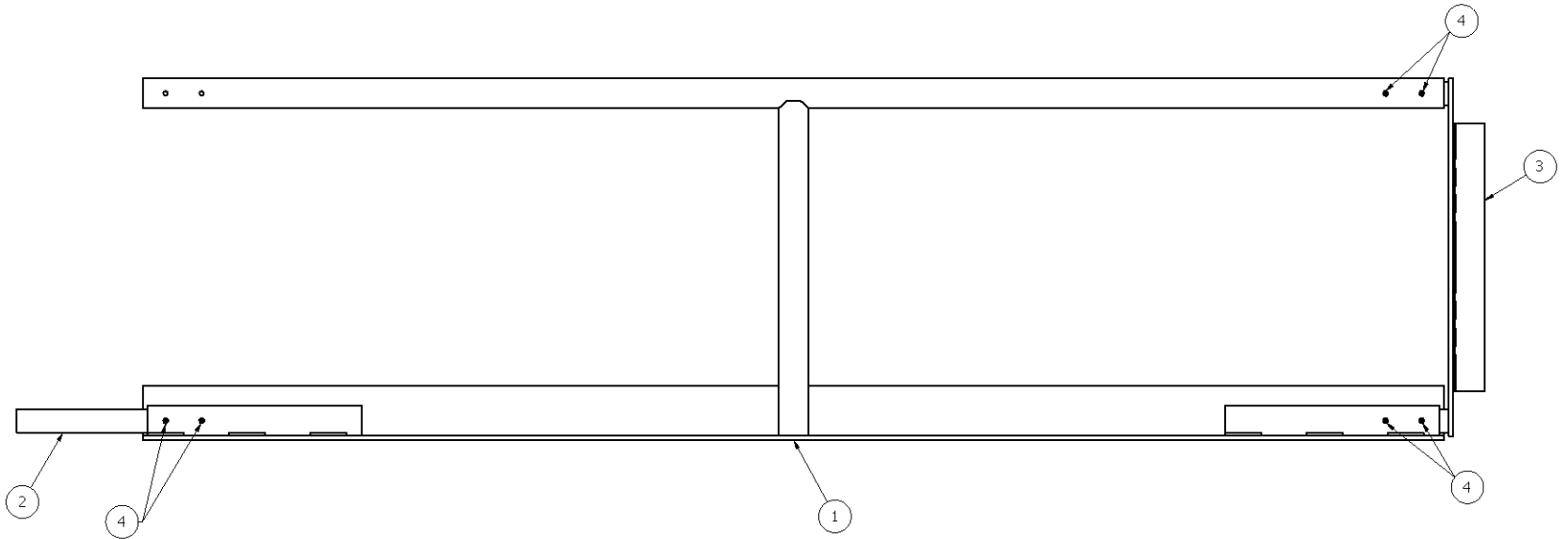
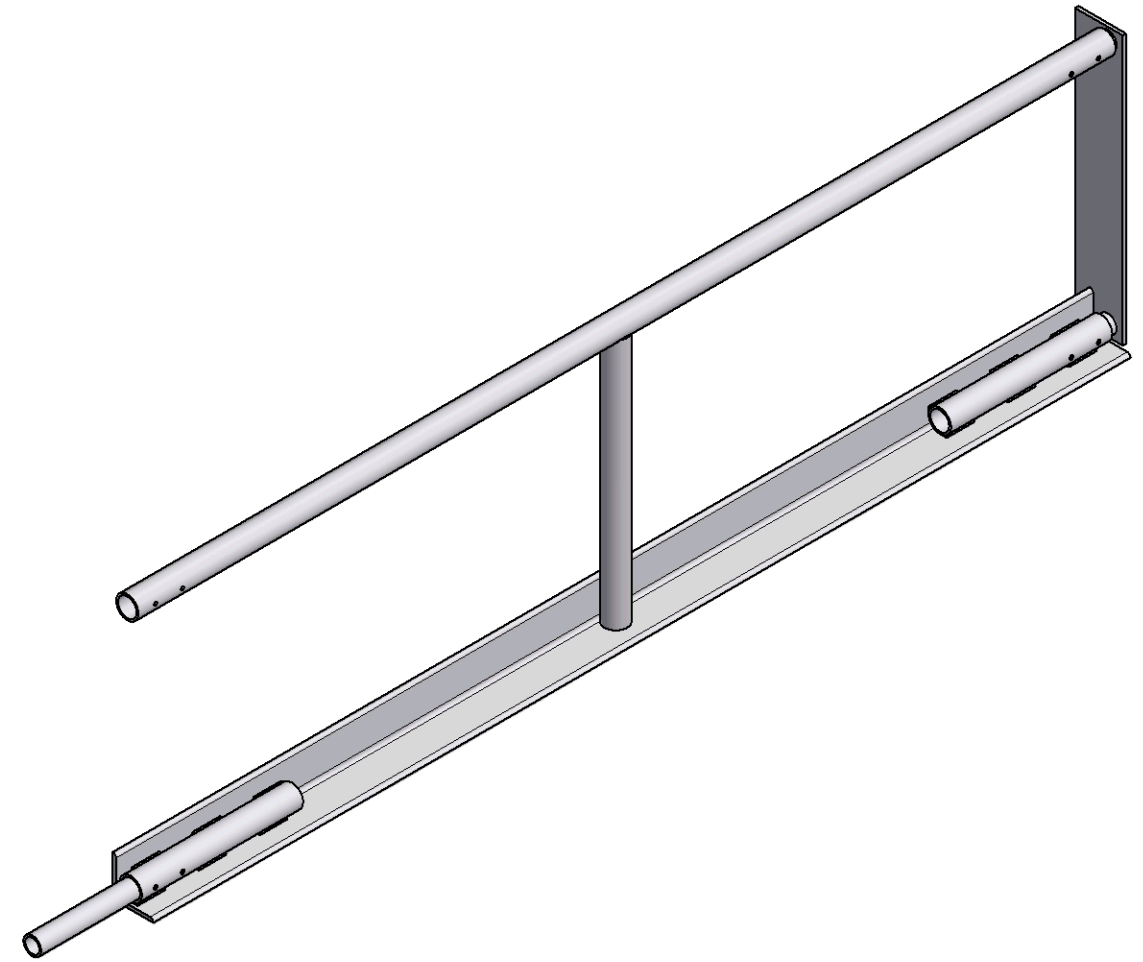
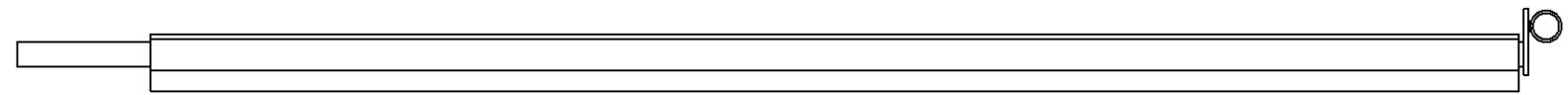


DETAIL A  
SCALE 1 : 1

Parts List			
ITEM	QTY	PART NUMBER	DESCRIPTION
1	1	FE-00005	Field Rail
2	2	FE-00026	Connecting Pin
3	4	HW-00010	Pop Rivet 3/16 Dia.

DRAWN dfoster CHECKED UNLESS OTHERWISE SPECIFIED <b>TOLERANCES: (INCHES)</b> FRAC. +/- 1/32 .00 +/- .01 .000 +/- .005 ANGULAR +/- .25 Deg.	6/5/2008 TITLE Field Rail Assy - Mid SIZE DWG NO D FE-00022 SCALE	<b>FIRST</b> 200 Bedford Street, Manchester, NH 03101 (603) 666-3906 -- FAX (603) 666-3907 REV 1 SHEET 1 OF 1
--------------------------------------------------------------------------------------------------------------------------------------------------------------------	----------------------------------------------------------------------------------	---------------------------------------------------------------------------------------------------------------------------

8 7 6 5 4 3 2 1

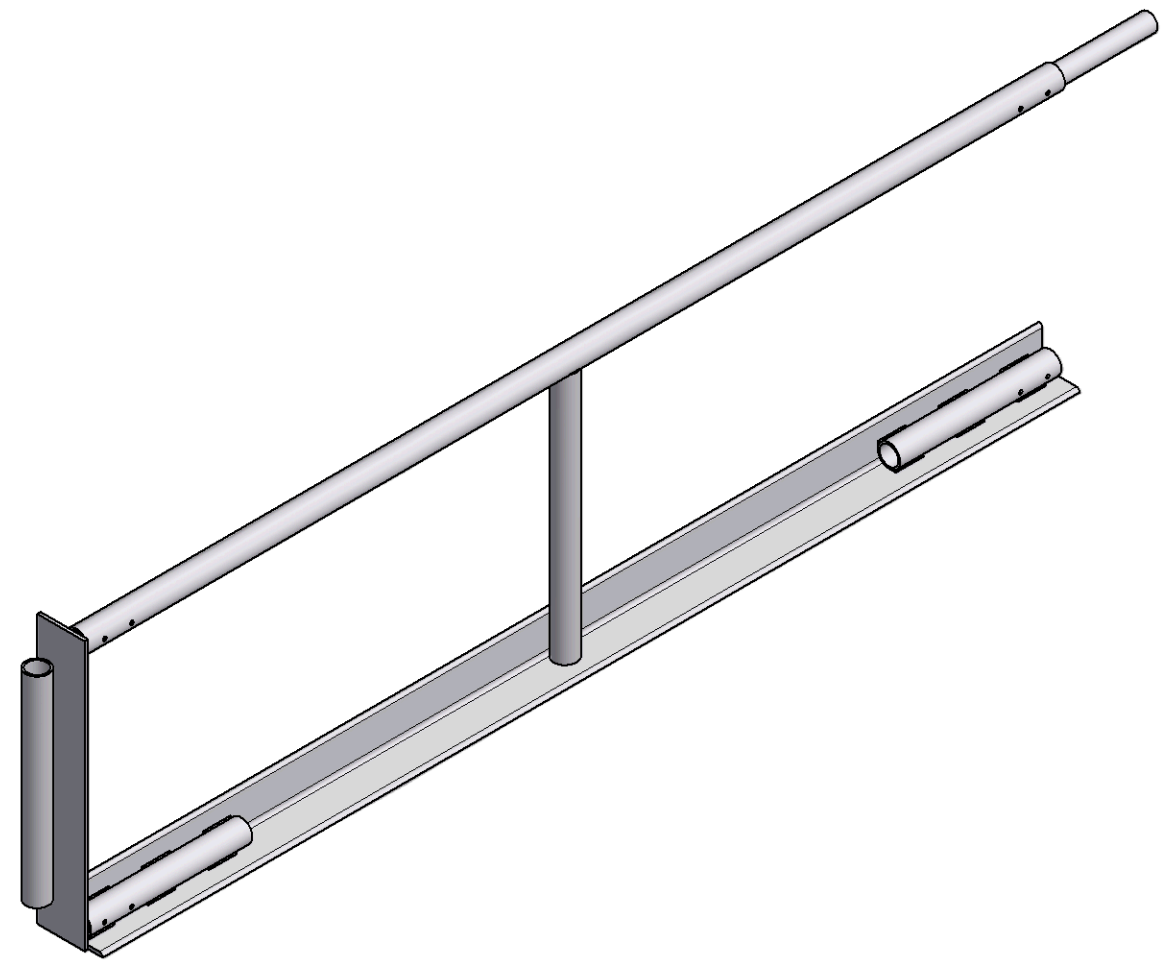
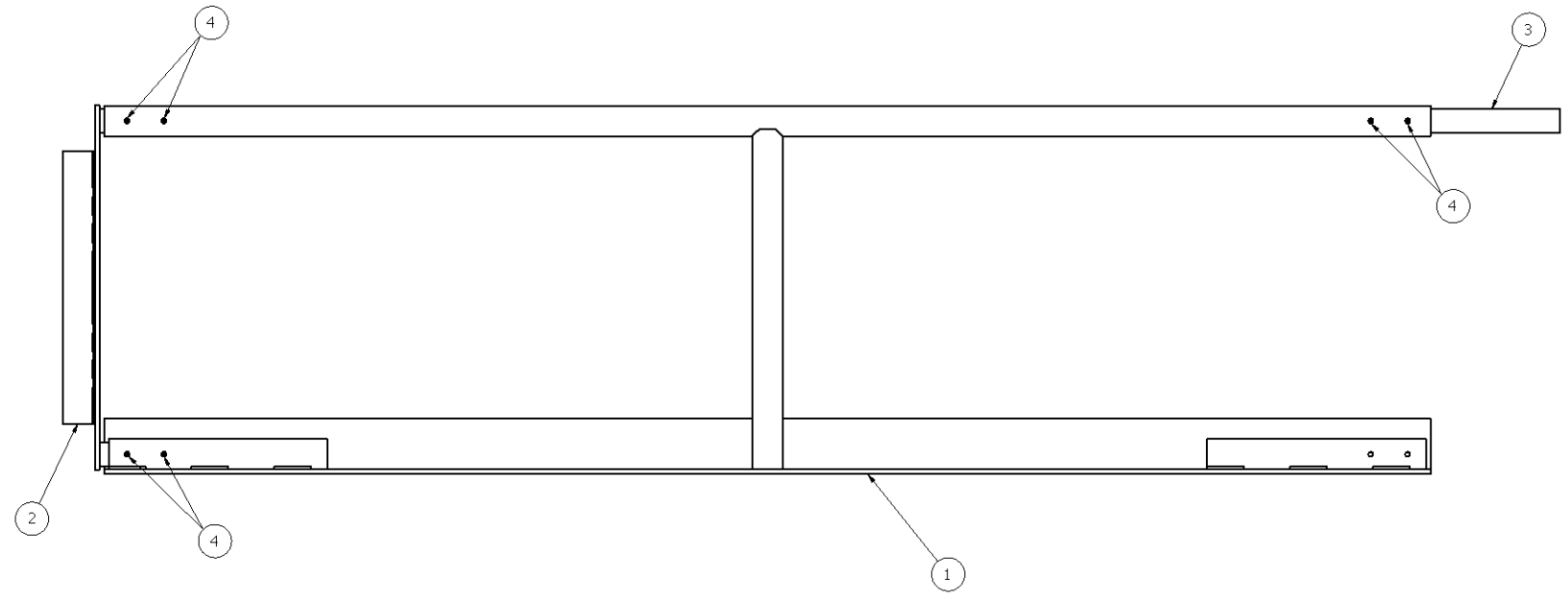


Parts List			
ITEM	QTY	PART NUMBER	DESCRIPTION
1	1	FE-00005	Field Rail
2	1	FE-00026	Connecting Pin
3	1	FE-00018	Corner Connector
4	6	HW-00010	Pop Rivet 3/16 Dia.

DRAWN dfoster	6/6/2008	<b>FIRST</b> 200 Bedford Street, Manchester, NH 03101 (603) 666-3906 -- FAX (603) 666-3907	
CHECKED			
UNLESS OTHERWISE SPECIFIED		TITLE	
TOLERANCES: (INCHES)		Field Rail Assy - Left	
FRAC.	+/- 1/32	SIZE	DWG NO
.00	+/- .01	D	FE-00023
.000	+/- .005	SCALE	REV
ANGULAR	+/- .25 Deg.		1

8 7 6 5 4 3 2 1

8 7 6 5 4 3 2 1

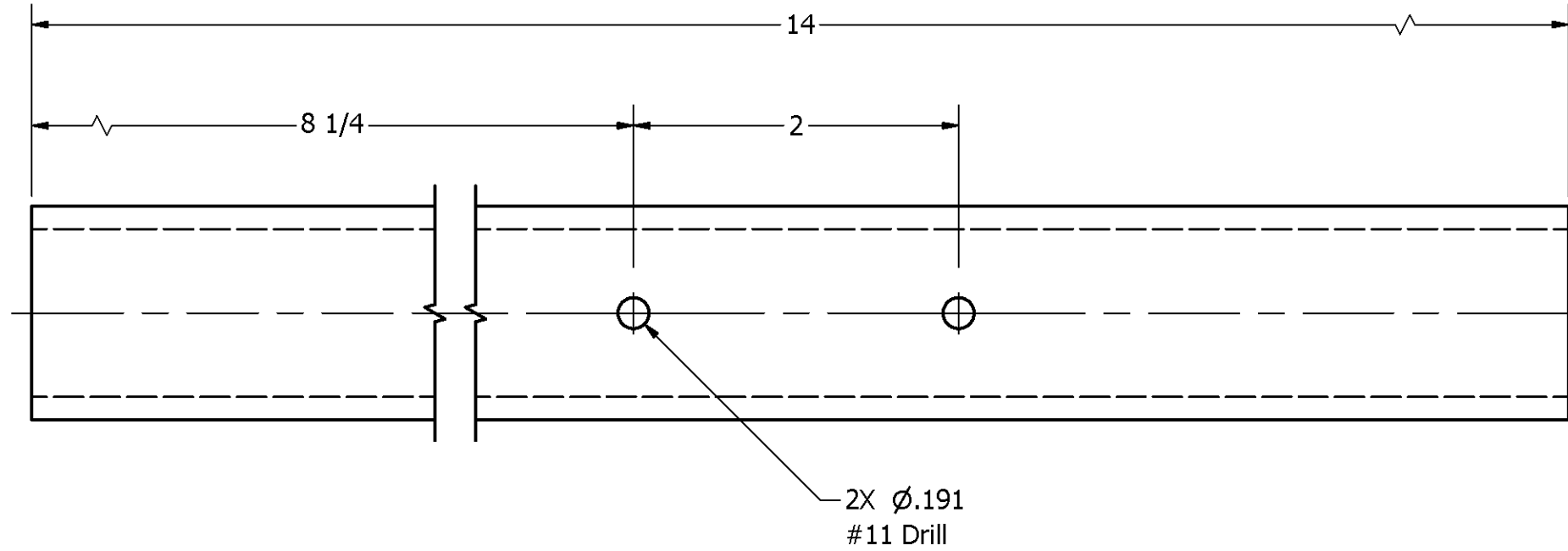
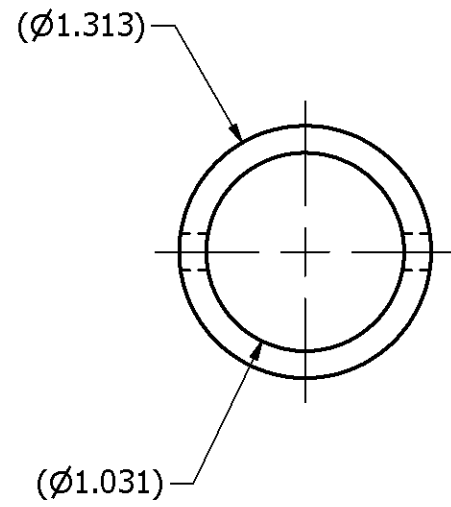


Parts List			
ITEM	QTY	PART NUMBER	DESCRIPTION
1	1	FE-00005	Field Rail
2	1	FE-00018	Corner Connector
3	1	FE-00026	Connecting Pin
4	6	HW-00010	Pop Rivet 3/16 Dia.

DRAWN dfoster	6/6/2008	<b>FIRST</b> 200 Bedford Street, Manchester, NH 03101 (603) 666-3906 -- FAX (603) 666-3907	
CHECKED			
UNLESS OTHERWISE SPECIFIED		TITLE	
TOLERANCES: (INCHES)		Field Rail Assy - Right	
FRAC.	+/- 1/32	SIZE	DWG NO
.00	+/- .01	D	FE-00024
.000	+/- .005	SCALE	REV
ANGULAR	+/- .25 Deg.		1

8 7 6 5 4 3 2 1

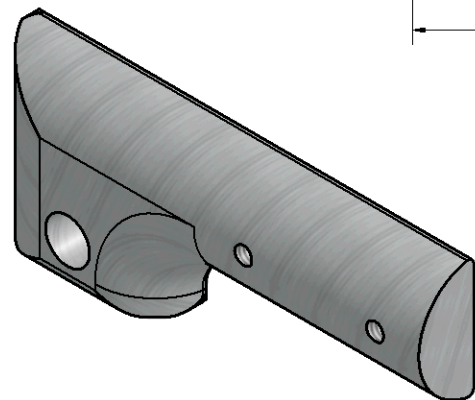
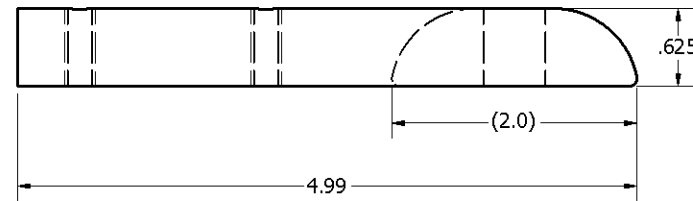
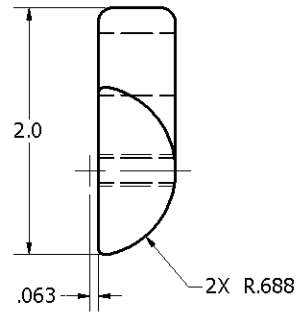
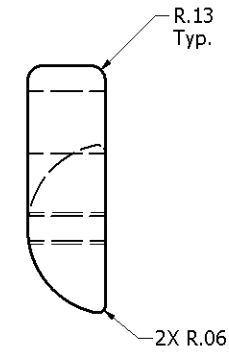
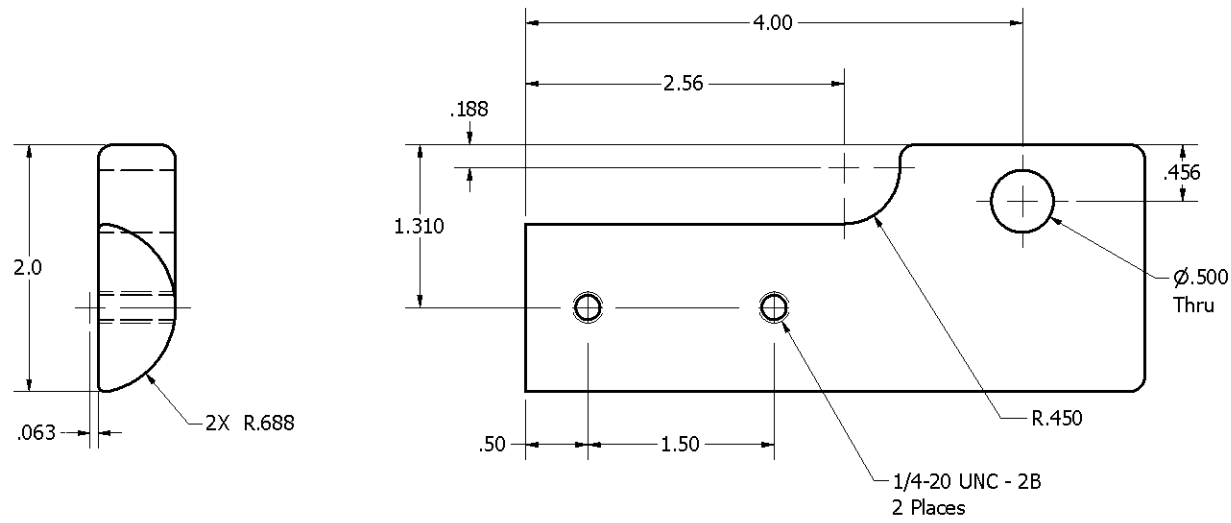
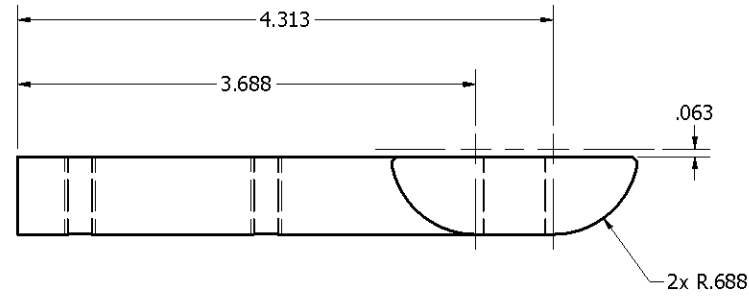
REVISION HISTORY				
ZONE	REV	DESCRIPTION	DATE	APPROVED
	1	redrawn	6/5/2008	dfoster



- Notes:
1. Material: 1" Schedule 40 Pipe, 6061-T6 Aluminum
  2. Remove all sharp edges.

DRAWN dfoster	6/5/2008	<b>FIRST</b> 200 Bedford Street, Manchester, NH 03101 (603) 666-3906 -- FAX (603) 666-3907		
CHECKED narosenberg	8/4/2008			
UNLESS OTHERWISE SPECIFIED		TITLE <b>Connector Pin</b>		
<b>TOLERANCES: (INCHES)</b>				
FRAC.	+/- 1/32			
.00	+/- .01			
.000	+/- .005	SIZE <b>B</b>	DWG NO <b>FE-00026</b>	REV 1
ANGULAR	+/- .25 Deg.	SCALE	SHEET 1 OF 1	

REVISION HISTORY				
ZONE	REV	DESCRIPTION	DATE	APPROVED
	1	redrawn	8/8/2008	dfoster

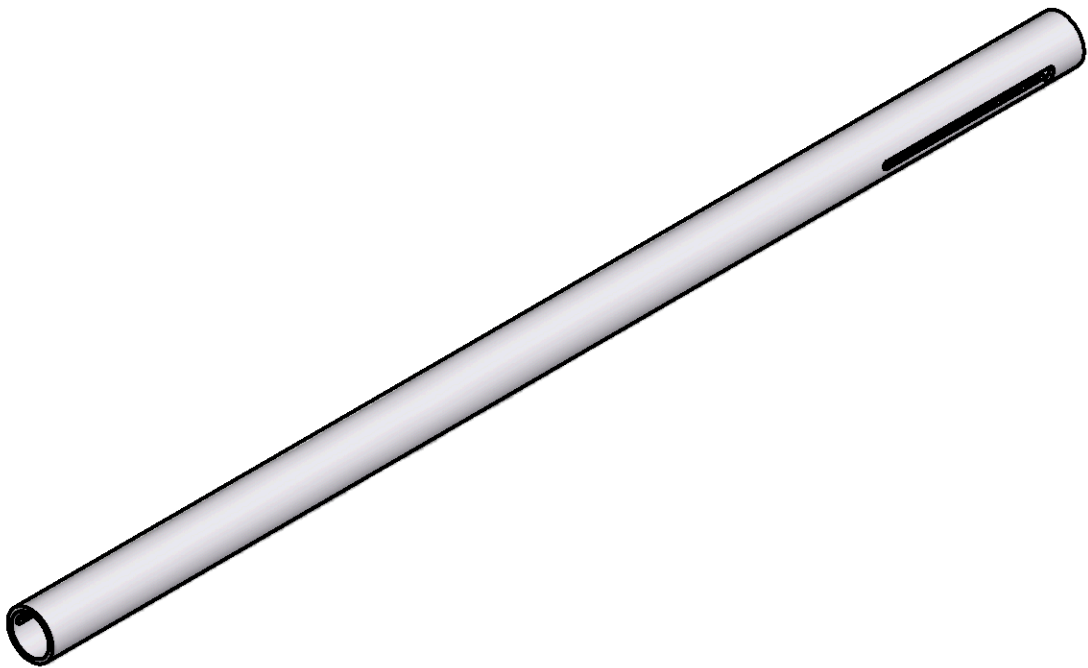
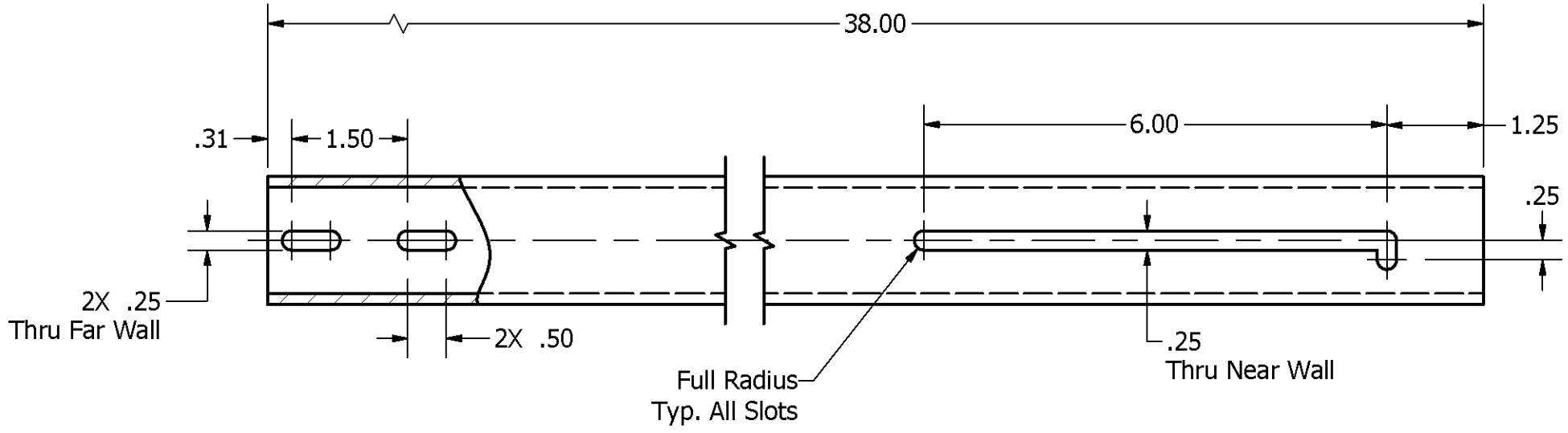
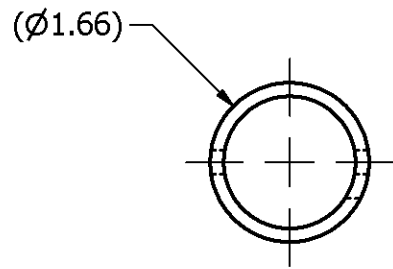


Notes:

1. Material: 6063 Aluminum
2. Remove all sharp edges

DRAWN dfoster	8/8/2008	<b>FIRST</b> 200 Bedford Street, Manchester, NH 03101 (603) 666-3906 -- FAX (603) 666-3907		
CHECKED narosenberg	8/8/2008			
UNLESS OTHERWISE SPECIFIED		TITLE Hinge, Insert		
TOLERANCES: (INCHES)				
FRAC.	+/- 1/32	SIZE	DWG NO	REV
.00	+/- .01	C	FE-00027	1
.000	+/- .005	SCALE	SHEET 1 OF 1	
ANGULAR	+/- .25 Deg.			

REVISION HISTORY				
ZONE	REV	DESCRIPTION	DATE	APPROVED
	1	Redrawn	8/6/2008	dfoster



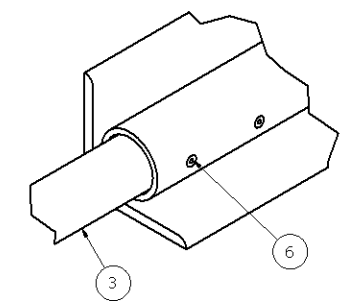
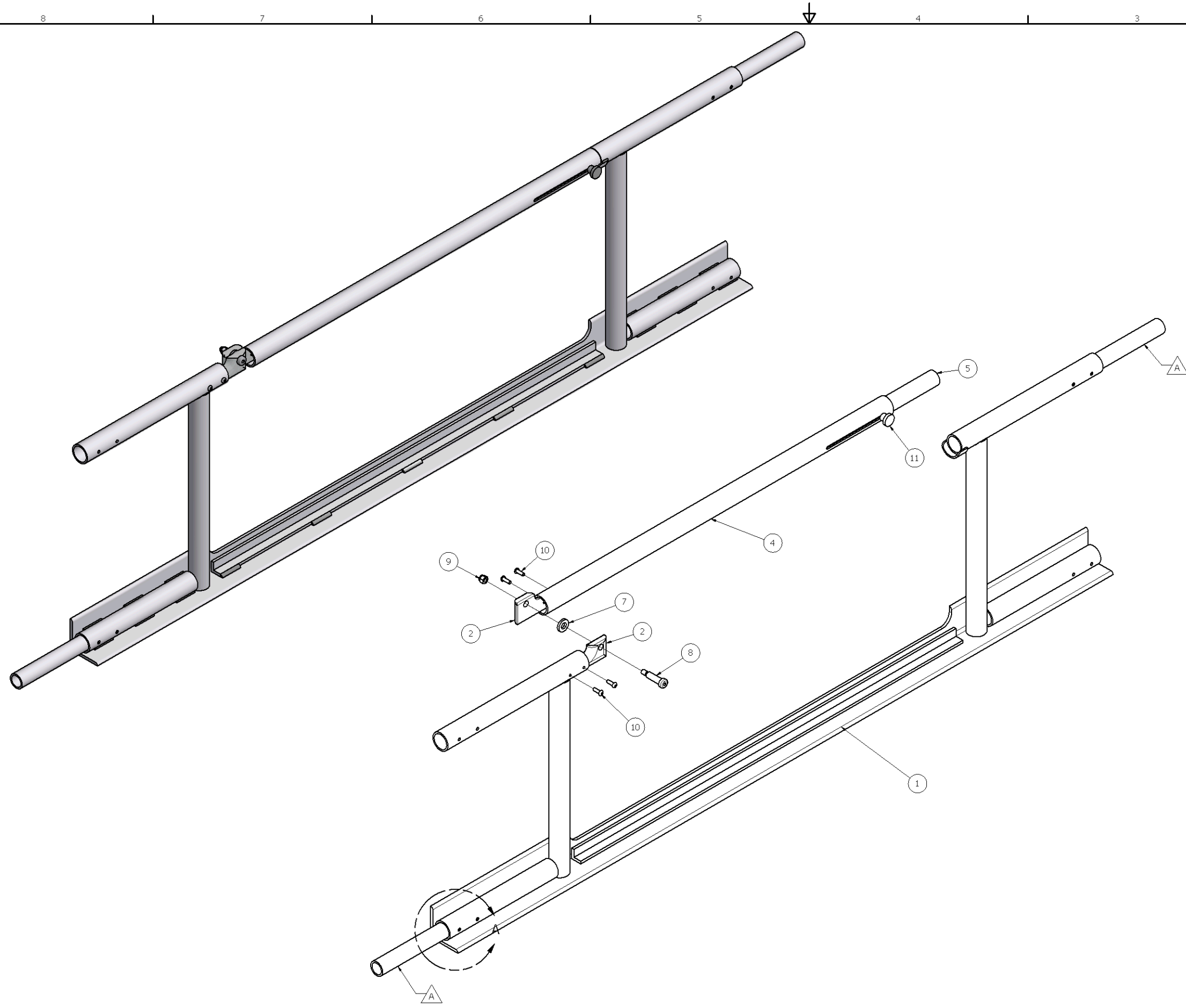
Notes:

1. Material: 1-1/4" Aluminum 6061-T6 Schedule 40 Pipe
2. Remove all sharp edges.

DRAWN dfoster	8/7/2008	<b>FIRST</b> 200 Bedford Street, Manchester, NH 03101 (603) 666-3906 -- FAX (603) 666-3907		
CHECKED narosenberg	8/12/2008			
UNLESS OTHERWISE SPECIFIED		TITLE <b>Arm, Field Gate</b>		
<b>TOLERANCES: (INCHES)</b>				
FRAC.	+/- 1/32			
.00	+/- .01			
.000	+/- .005	SIZE <b>B</b>	DWG NO <b>FE-00028</b>	REV <b>1</b>
ANGULAR	+/- .25 Deg.	SCALE	SHEET 1 OF 1	



REVISION HISTORY				
ZONE	REV	DESCRIPTION	DATE	APPROVED
C-2, A-6, C-3	A	Relocated Item 3 (x2), Relocated Detail A	1/7/2009	dfoster



DETAIL A  
SCALE 1 / 2  
Typ. 2 Places

Parts List			
ITEM	QTY	PART NUMBER	DESCRIPTION
1	1	FE-00006	Field Gate, Weldment
2	2	FE-00027	Hinge Insert
3	2	FE-00026	Connecting Pin
4	1	FE-00028	Arm, Field Gate
5	1	FE-00031	Slide, Gate
6	4	HW-00010	Pop Rivet 3/16 Dia.
7	1	HW-00035	Washer, Flat 1/2"
8	1	HW-00036	Socket Head Shoulder Screw, 1/2" x 1.5"
9	1	HW-00026	Nut, Nylock 3/8-16 Zinc Plate
10	4	HW-00037	Socket Button Head Cap Screw, 1/4-20 x .75"
11	1	PP-00012	Knob, Round Knurled with threaded Stud McMaster-Carr 6091K61

DRAWN dfoster		1/2/2009	<b>FIRST</b> 200 Bedford Street, Manchester, NH 03101 (603) 666-3906 -- FAX (603) 666-3907	
CHECKED				
UNLESS OTHERWISE SPECIFIED			TITLE	
TOLERANCES: (INCHES)			Field Gate, Assembly	
FRAC.	+/- 1/32		SIZE	DWG NO
.00	+/- .01		D	FE-00029
.000	+/- .005		SCALE	REV
ANGULAR	+/- .25 Deg.			A

4

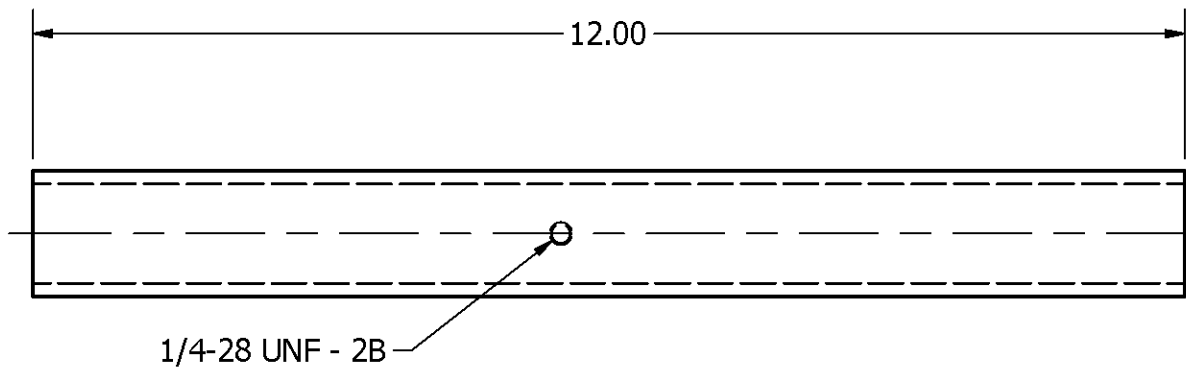
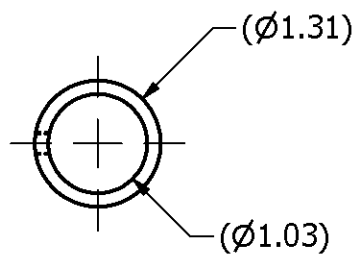
3

2

1

B

B



Notes:

- 1. Material: 1" Schedule 40 Aluminum 6061-T6.
- 2. Remove all sharp edges.

DRAWN dfoster		1/2/2009		<b>FIRST</b> 200 Bedford Street, Manchester, NH 03101 (603) 666-3906 -- FAX (603) 666-3907	
CHECKED					
UNLESS OTHERWISE SPECIFIED				TITLE <b>Slide, Gate</b>	
<b>TOLERANCES: (INCHES)</b>					
FRAC.	+/- 1/32				
.00	+/- .01				
.000	+/- .005			SIZE <b>B</b>	DWG NO <b>FE-00031</b>
ANGULAR	+/- .25 Deg.			SCALE	REV
				SHEET 1 OF 1	

4

3

2

1

A

A